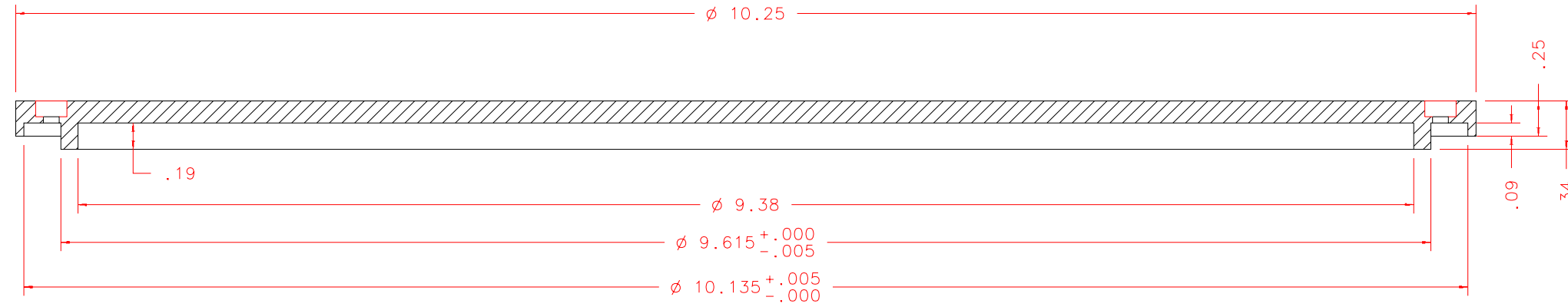
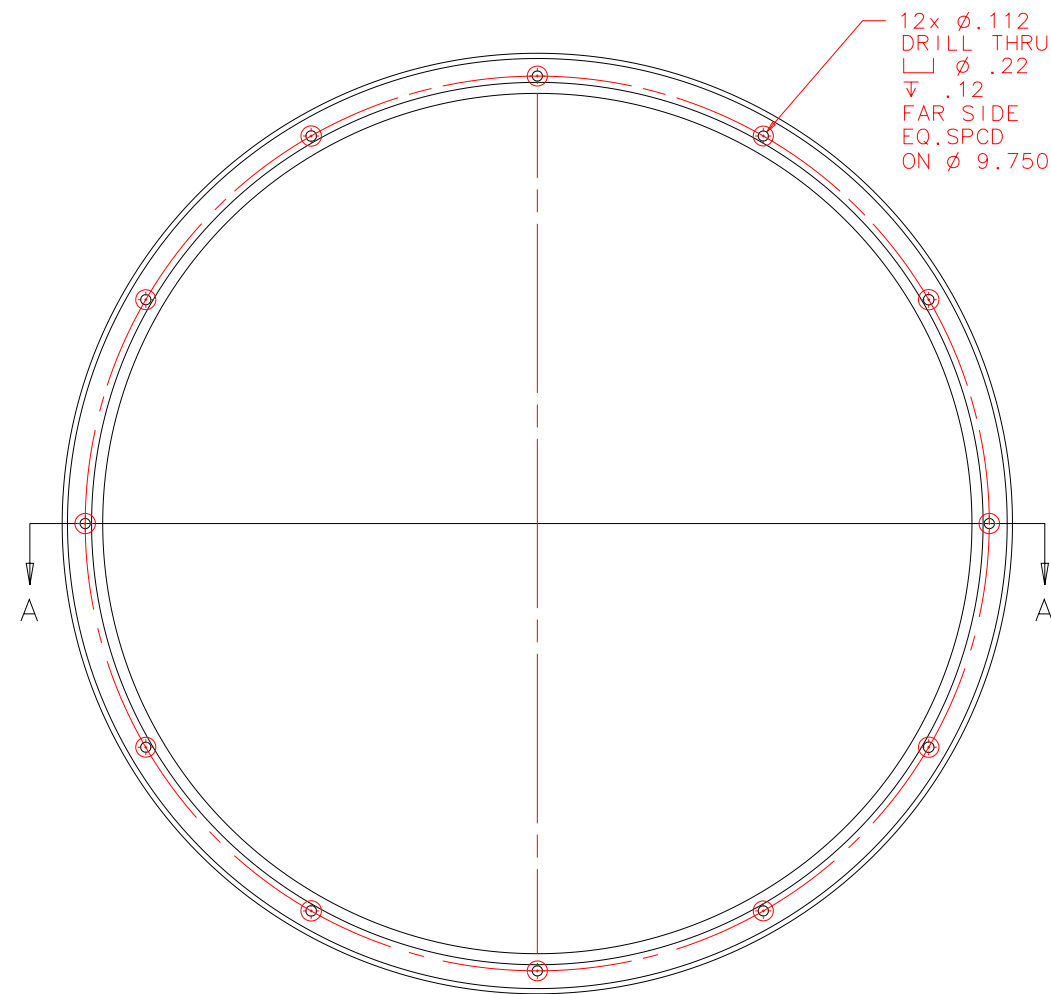


NOTES: UNLESS OTHERWISE NOTED  
 1. MACHINED SURFACE ROUGHNESS 64  
 O-RING GROOVES AND SURFACES 32  
 2. REMOVE ALL BURRS/SHARP CORNERS

BILL OF MATERIAL				
NO.	REQ'D	REF DRW	DESCRIPTION	MATERIAL
N/A	1	SK2-014B	DRUM COVER	ALU 6061-T6



SECTION A-A: SCALE 1:1



FRONT: SCALE 1:2

REVDATE: N/A	REVISION: N/A
DATE: 12/15/97	<b>INSTITUTE FOR ASTRONOMY</b>
DESIGN: STAHLBERGER	2680 WOODLAWN DR. HONOLULU, HI 96822
DRAWN: STAHLBERGER	INSTRUMENT: SPEX - CROSS DISPERSED SPECTROGRAPH
APPR'D: J. RAYNER	PART NAME: DRUM COVER
<b>TOLERANCES</b>	TELESCOPE: IRTF
X.X +/- .015	DRW NO: SK2-014B
X.XX +/- .005	SCALE: NOTED
X.XXX +/- .002	SIZE: B
ANGLE +/- 30 min	JOS NO: 725
FRACTION +/- 1/32	SHEET: 1 OF 1

SK2-001B
NEXT ASSY

PLOT: 10/19/99