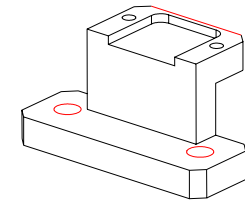
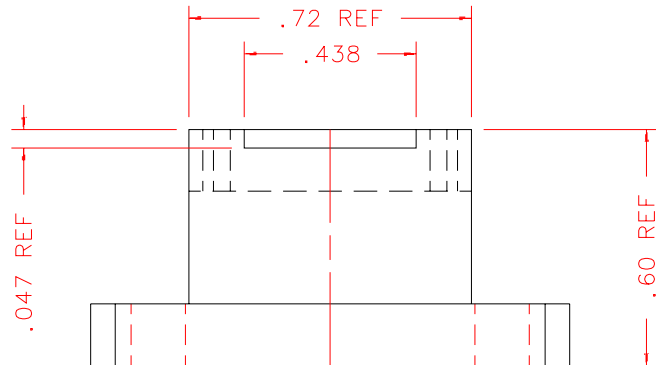
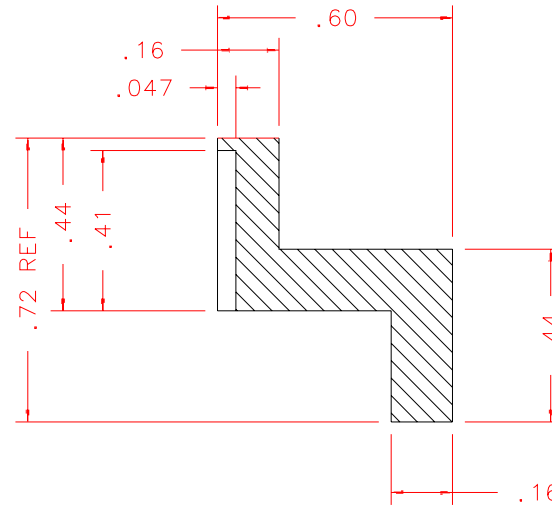
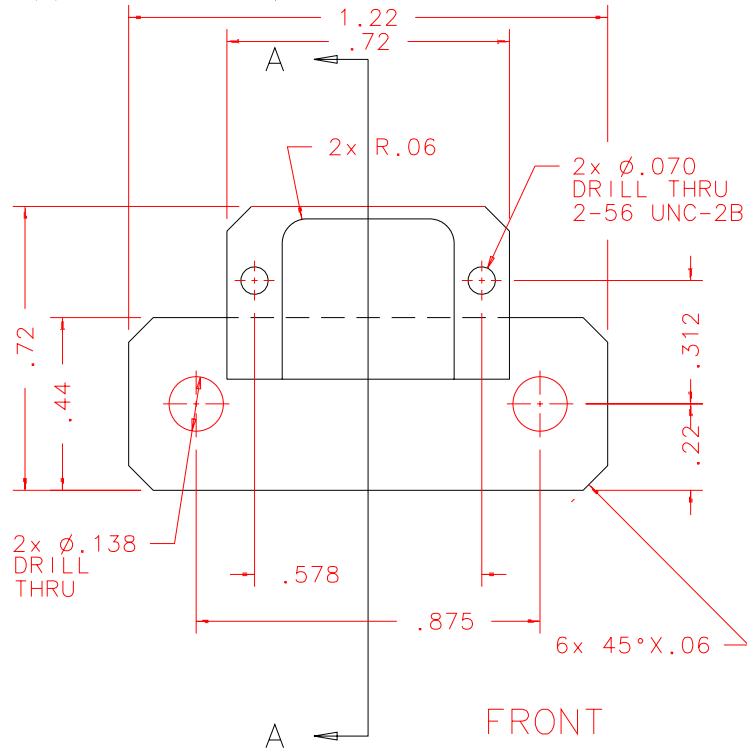


NOTES: UNLESS OTHERWISE NOTED

1. MACHINED SURFACE ROUGHNESS 64  
O-RING GROOVES AND SURFACES 32
2. REMOVE ALL BURRS/SHARP CORNERS

BILL OF MATERIAL				
NO.	REQ'D	REF DRW	DESCRIPTION	MATERIAL
N/A	1	SK2-016A	HALL SENSOR BRACKET	ALU 6061-T6



ISOVIEW 4  
FULL SCALE

PLOT: 10/19/99

SK2-001B	REVDATE: N/A	REVISION: N/A	<b>INSTITUTE FOR ASTRONOMY</b>	
NEXT ASSY	DATE: 12/17/97	2680 WOODLAWN DR. HONOLULU, HI 96822		
	DESIGN: STAHLBERGER	INSTRUMENT: SPEX - CROSS DISPERSED SPECTROGRAPH		
	DRAWN: STAHLBERGER	PART NAME: HALL SENSOR BRACKET		
	APPR'D: J. RAYNER	TELESCOPE: IRTF		
	<b>TOLERANCES</b>		DRW NO: SK2-016A	SCALE: 2:1
	X.X	+/- .015	SIZE: A	JOS NO: 725
	X.XX	+/- .005	SHEET: 1 OF 1	
	X.XXX	+/- .002		
	ANGLE	+/- 30 min		
	FRACTION	+/- 1/32		