

NOTES: UNLESS OTHERWISE NOTED  
 1. MACHINED SURFACE ROUGHNESS 64  
 O-RING GROOVES AND SURFACES 32  
 2. REMOVE ALL BURRS/SHARP CORNERS

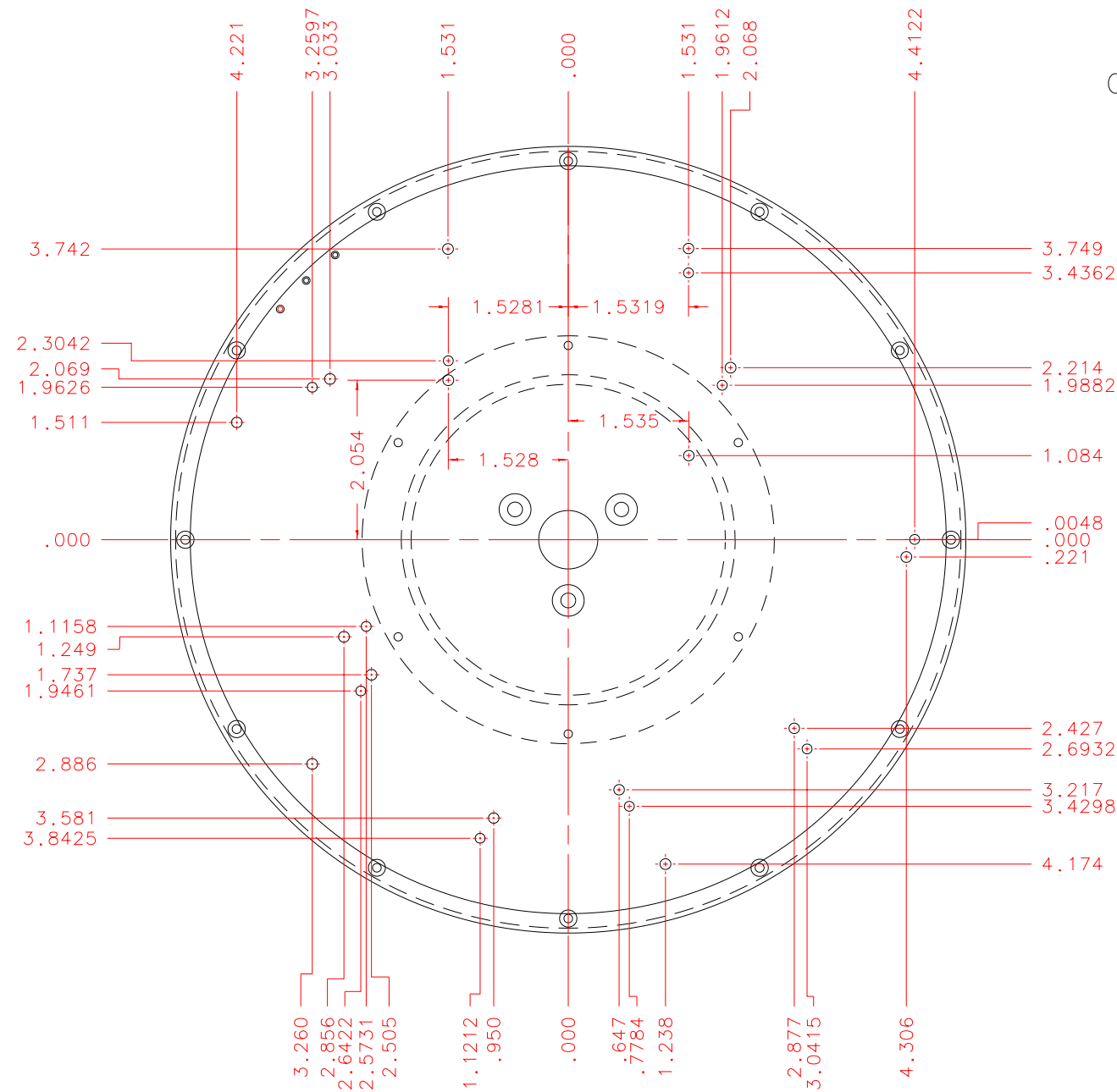
BILL OF MATERIAL				
NO.	REQ'D	REF DRW	DESCRIPTION	MATERIAL
N/A	1	SK2-018B	OPTICS BENCH	ALU 6061-T6

NOTE:

A) X.XXXX TOL = +/- .0002

B) HOLES DIMENSIONED  
 X.XXXX DIA = .1260  
 +.0002/- .0000  
 THRU

C) HOLES DIMENSIONED  
 X.XXX DIA = .136  
 8-32 UNC-2B  
 THRU



VIEW 8: SCALE 1:2  
 SAME AS BACK VIEW  
 ON SHEET 1

REVDATE: 09/30/99	REVISION: ADD 2ND SET OPTICS MOUNT HLS
REVDATE: 08/13/99	REVISION: ADD 1ST SET OPTICS MOUNT HLS
REVDATE: N/A	REVISION: N/A
DATE: 12/17/97	<b>INSTITUTE FOR ASTRONOMY</b>
DESIGN: STAHLBERGER	2680 WOODLAWN DR. HONOLULU, HI 96822
DRAWN: STAHLBERGER	INSTRUMENT: SPEX - CROSS DISPERSED SPECTROGRAPH
APPR'D: J. RAYNER	PART NAME: OPTICS BENCH
<b>TOLERANCES</b>	
X.X	+/- .015
X.XX	+/- .005
X.XXX	+/- .002
ANGLE	+/- 30 min
FRACTION	+/- 1/32
DRW NO: SK2-018B	SCALE: 1:2
SIZE: B	JOS NO: 725
	SHEET: 3 OF 3

PLOT: 10/19/99

SK2-001B  
 NEXT ASSY