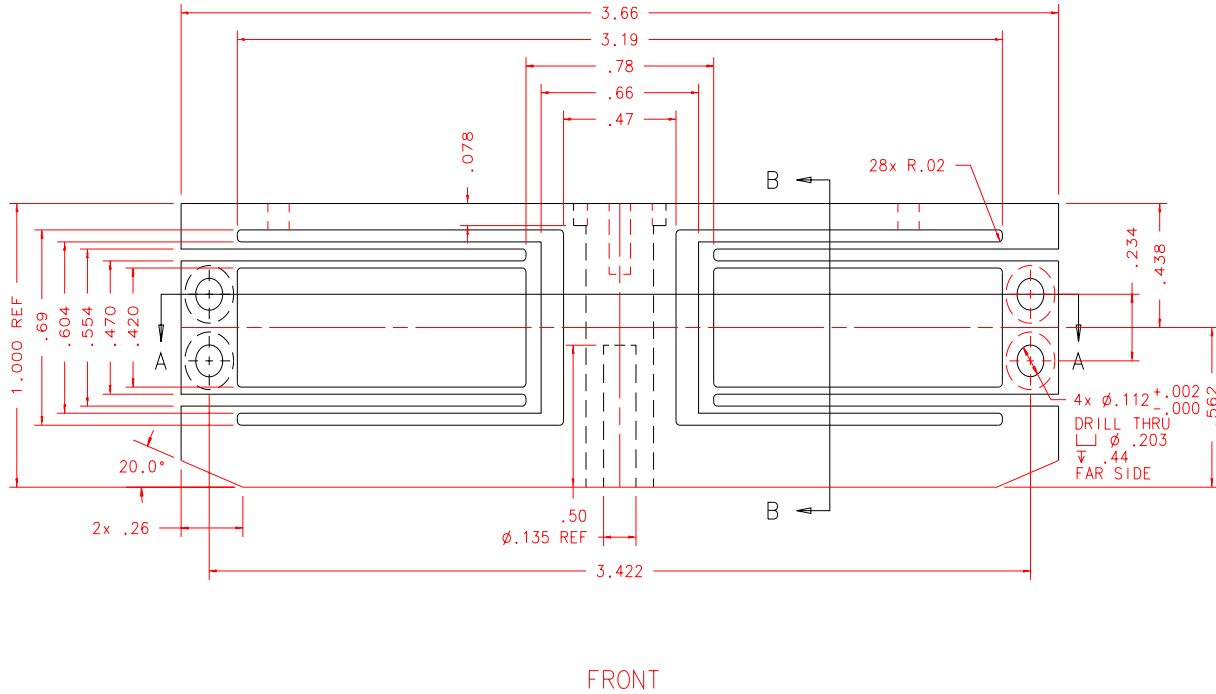
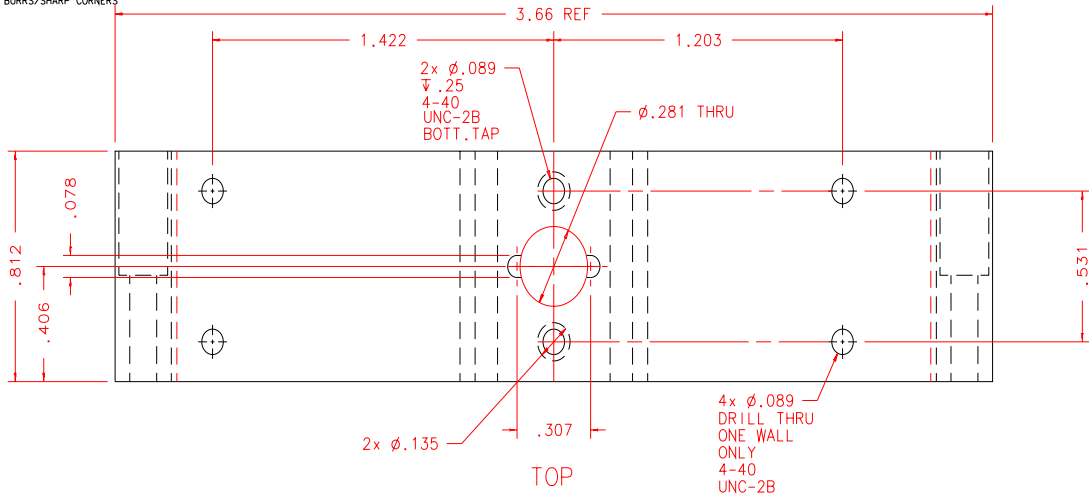
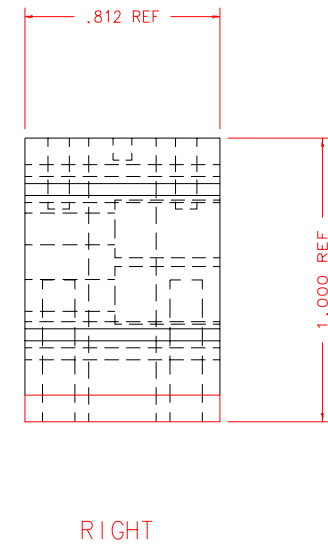


- NOTES: UNLESS OTHERWISE NOTED
 1. MACHINED SURFACE ROUGHNESS 64
 C-RING GROOVES AND SURFACES 32
 2. REMOVE ALL BURRS/SHARP CORNERS

BILL OF MATERIAL				
NO.	REV'D	REF DRW	DESCRIPTION	MATERIAL
N/A	1	SK3-021B	REDESIGNED FLEX STAGE	ALU 7075-T651



USE WIRE EDM
 PROCESS TO
 FABRICATE
 THIS PART



REVDATE: 05/19/98	REVISION: UPDATE DRAWING
REVDATE: N/A	REVISION: N/A
DATE: 12/17/97	INSTITUTE FOR ASTRONOMY
DESIGN: STAHLBERGER	2680 WOODLAWN DR. HONOLULU, HI 96822
DRAWN: STAHLBERGER	INSTRUMENT: SPEX - CROSS DISPERSED SPECTROGRAPH
APPR'D: J. RAYNER	PART NAME: REDESIGNED FLEX STAGE
TOLERANCES	
X.X	+/- .015
X.XX	+/- .005
X.XXX	+/- .002
ANGLE	+/- 30 min
FRACTION	+/- 1/32
TELESCOPE: IRTF	

SK3-001B	DRW NO: SK3-021B	SCALE: 2:1
NEXT ASSY	SIZE: B	JOS NO: 725
		SHEET: 1 OF 2

PLOT: 10/19/99