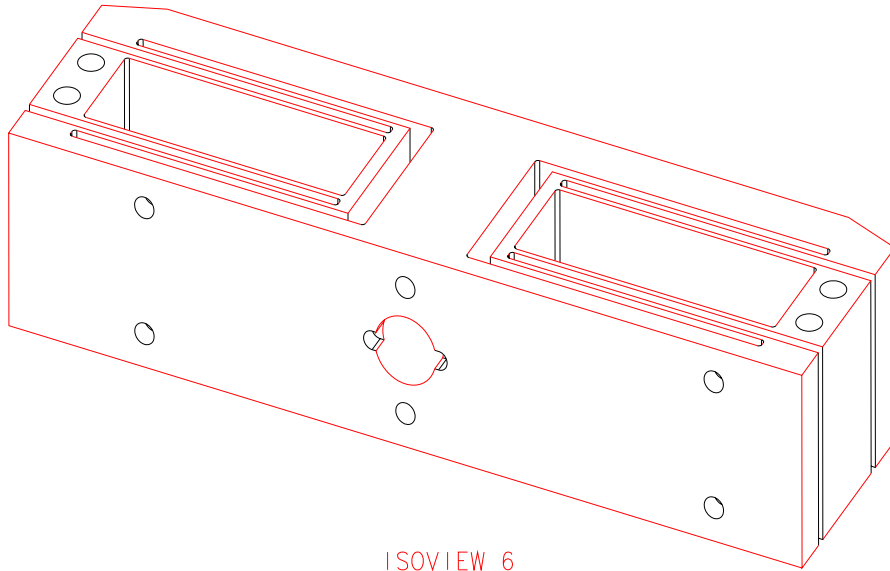


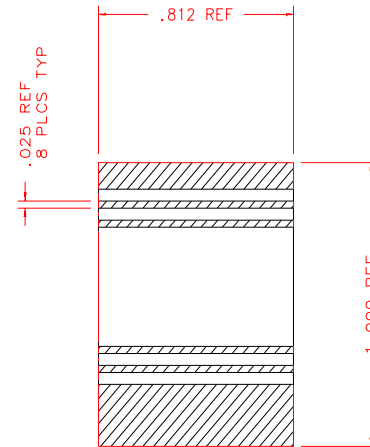
NOTES: UNLESS OTHERWISE NOTED
 1. MACHINED SURFACE ROUGHNESS 64
 C-RING GROOVES AND SURFACES 32
 2. REMOVE ALL BURRS/SHARP CORNERS

BILL OF MATERIAL				
NO.	REQ'D	REF DRW	DESCRIPTION	MATERIAL
N/A	1	SK3-021B	REDESIGNED FLEX STAGE	ALU 7075-T651

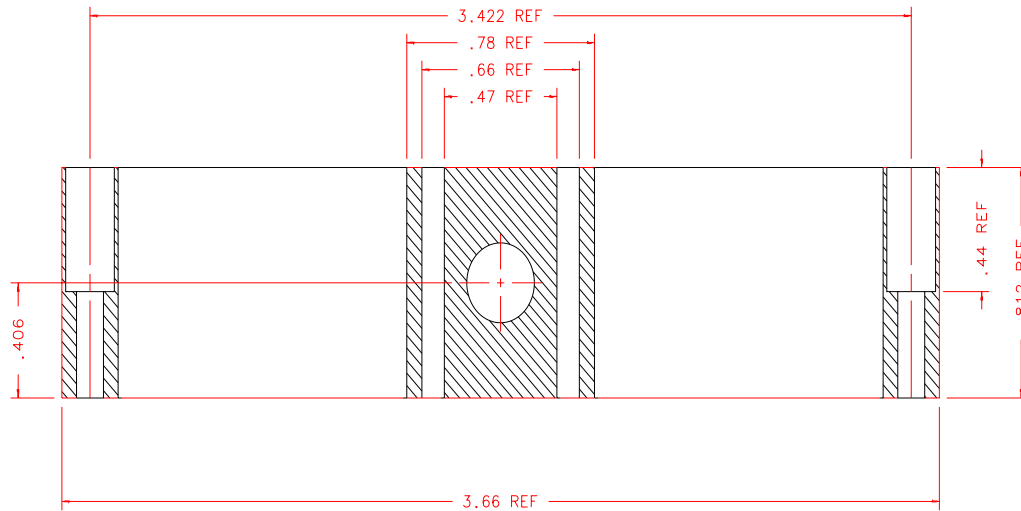


ISOVIEW 6
SCALE 21

USE WIRE EDM
PROCESS TO
FABRICATE
THIS PART



SECTION B-B



SECTION A-A

REVDATE: 05/19/98	REVISION: UPDATE DRAWING		
REVDATE: N/A	REVISION: N/A		
DATE: 12/17/97	INSTITUTE FOR ASTRONOMY		
DESIGN: STAHLBERGER	2680 WOODLAWN DR. HONOLULU, HI 96822		
DRAWN: STAHLBERGER	INSTRUMENT: SPEX - CROSS DISPERSED SPECTROGRAPH		
APPR'D: J. RAYNER	PART NAME: REDESIGNED FLEX STAGE		
TOLERANCES			
X.X	+/- .015	DRW NO: SK3-021B	SCALE: 2:1
X.XX	+/- .005	SIZE: B	JOS NO: 725
X.XXX	+/- .002	SHEET: 2 OF 2	
ANGLE	+/- 30 min		
FRACTION	+/- 1/32		