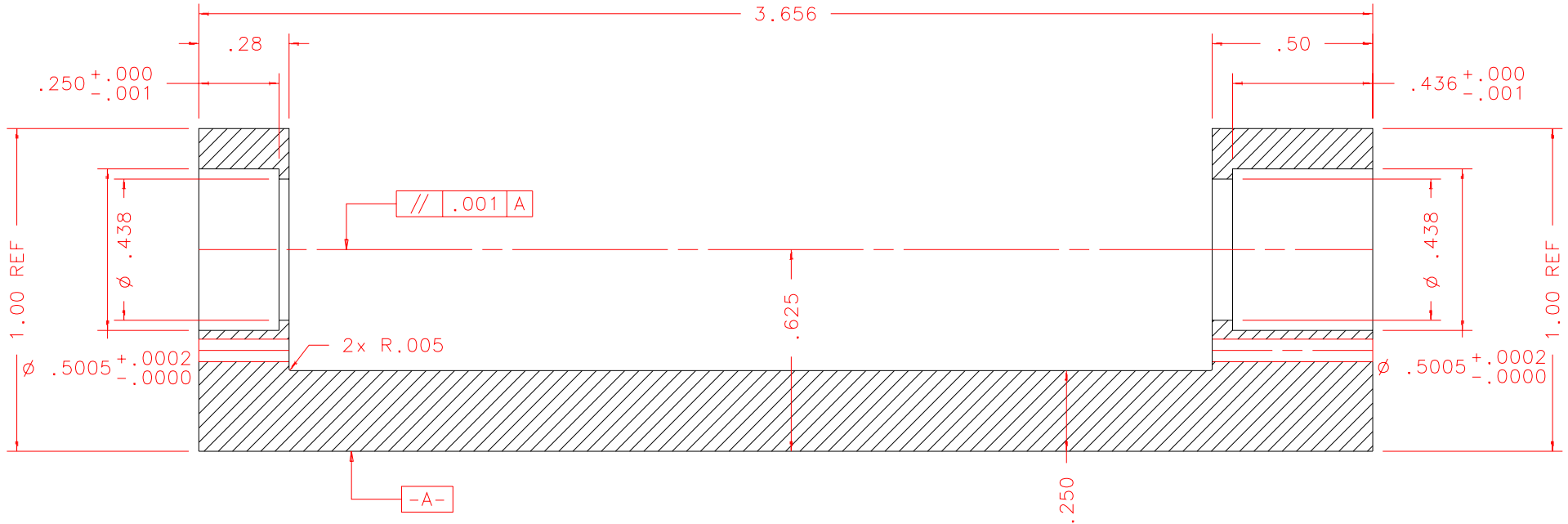


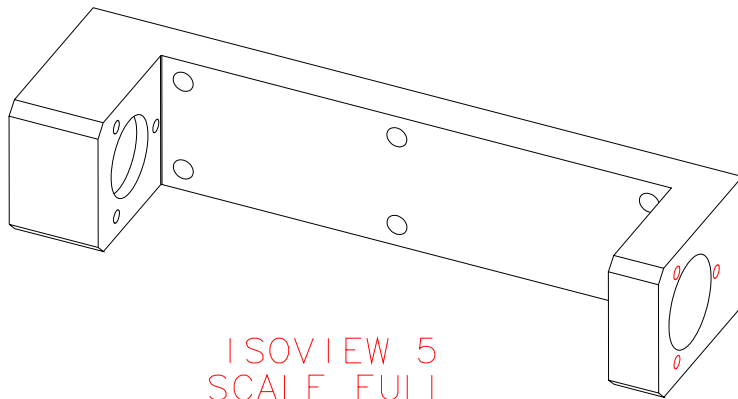
NOTES: UNLESS OTHERWISE NOTED

1. MACHINED SURFACE ROUGHNESS 64
O-RING GROOVES AND SURFACES 32
2. REMOVE ALL BURRS/SHARP CORNERS

BILL OF MATERIAL				
NO.	REQ'D	REF DRW	DESCRIPTION	MATERIAL
N/A	1	SK3-022A	WORM BRACKET REDESIGNED	ALU 6061-T6



SECTION A-A: SCALE 2:1



ISOVIEW 5
SCALE FULL

PLOT: 10/19/99

SK3-001B	REVDATE: N/A	REVISION: N/A	INSTITUTE FOR ASTRONOMY 2680 WOODLAWN DR. HONOLULU, HI 96822 INSTRUMENT: SPEX - CROSS DISPERSED SPECTROGRAPH PART NAME: WORM BRACKET REDESIGNED TELESCOPE: IRTF
NEXT ASSY	DATE: 12/18/97	DESIGN: STAHLBERGER	
	DRAWN: STAHLBERGER	APPR'D: J. RAYNER	DRW NO: SK3-022A
	TOLERANCES X.X +/- .015 X.XX +/- .005 X.XXX +/- .002 ANGLE +/- 30 min FRACTION +/- 1/32		SCALE: 1:1
	SIZE: A	JOS NO: 725	SHEET: 2 OF 2