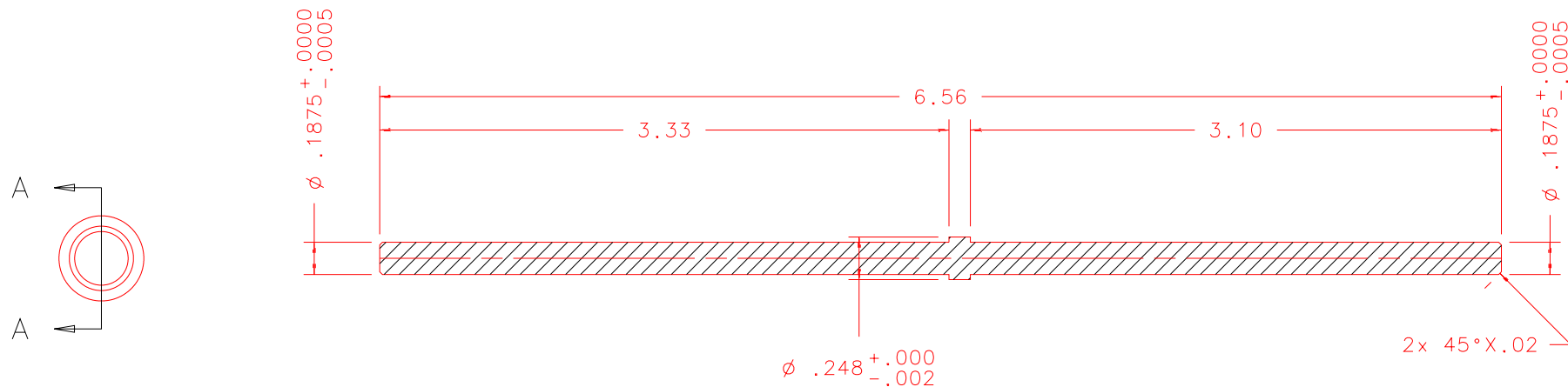


NOTES: UNLESS OTHERWISE NOTED

1. MACHINED SURFACE ROUGHNESS 64
O-RING GROOVES AND SURFACES 32
2. REMOVE ALL BURRS/SHARP CORNERS

BILL OF MATERIAL				
NO.	REQ'D	REF DRW	DESCRIPTION	MATERIAL
N/A	1	SK3-019A	WORM SHAFT	STAINLESS 303



FRONT:
SCALE 2:1

SECTION A-A:SCALE 1:1

PLOT:10/19/99

SK3-001B
NEXT ASSY

REVDATE: N/A	REVISION: N/A
DATE: 12/18/97	INSTITUTE FOR ASTRONOMY 2680 WOODLAWN DR. HONOLULU, HI 96822
DESIGN: STAHLBERGER	
DRAWN: STAHLBERGER	INSTRUMENT: SPEX - CROSS DISPERSED SPECTROGRAPH
APPR'D: J. RAYNER	PART NAME: WORM SHAFT
TOLERANCES	
X.X	+/- .015
X.XX	+/- .005
X.XXX	+/- .002
ANGLE	+/- 30 min
FRACTION	+/- 1/32
DRW NO: SK3-019A	SCALE: NOTED
SIZE: A	JOS NO: 725
SHEET: 1 OF 1	