

NOTES: UNLESS OTHERWISE NOTED

1. MACHINED SURFACE ROUGHNESS 64  
O-RING GROOVES AND SURFACES 32
2. REMOVE ALL BURRS/SHARP CORNERS

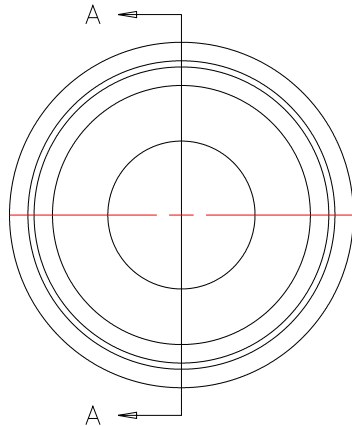
BILL OF MATERIAL

NO.	REQ'D	REF DRW	DESCRIPTION	MATERIAL
N/A	1	SK3-020A	WORM MOD W32S-3S	VESPEL SP-3

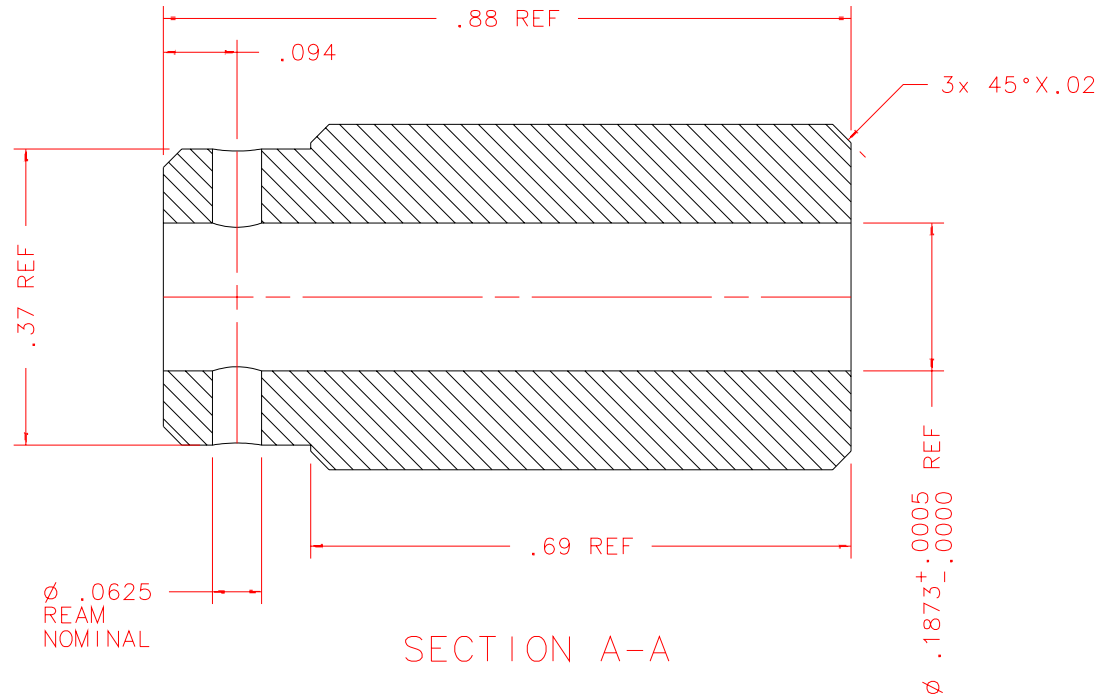
NOTE:  
EXCEPT FOR MATERIAL  
AND 1/16 DIAMETER  
HOLE, PART IS SAME AS  
W32S-3S (W.M.BERG,  
CATALOG PAGE 299)

WORM GEAR DATA:

THREAD = SINGLE  
LEAD = .0982 INCHES  
LEAD ANGLE = 4DEG 5 MIN  
PRESSURE ANGLE = 14.5DEG  
PITCH DIA = .4375  
OUTSIDE DIA = .500



FRONT



SECTION A-A

REVDATE: N/A	REVISION: N/A
DATE: 01/26/98	<b>INSTITUTE FOR ASTRONOMY</b>
DESIGN: STAHLBERGER	2680 WOODLAWN DR. HONOLULU, HI 96822
DRAWN: STAHLBERGER	INSTRUMENT: SPEX - CROSS DISPERSED SPECTROGRAPH
APPR'D: J. RAYNER	PART NAME: WORM MOD W32S-3S
<b>TOLERANCES</b>	
X.X	+/- .015
X.XX	+/- .005
X.XXX	+/- .002
ANGLE	+/- 30 min
FRACTION	+/- 1/32
DRW NO: SK3-020A	SCALE: 4:1
SIZE: A	JOS NO: 725
SHEET: 1 OF 1	

PLOT: 10/19/99

SK3-001B  
NEXT ASSY