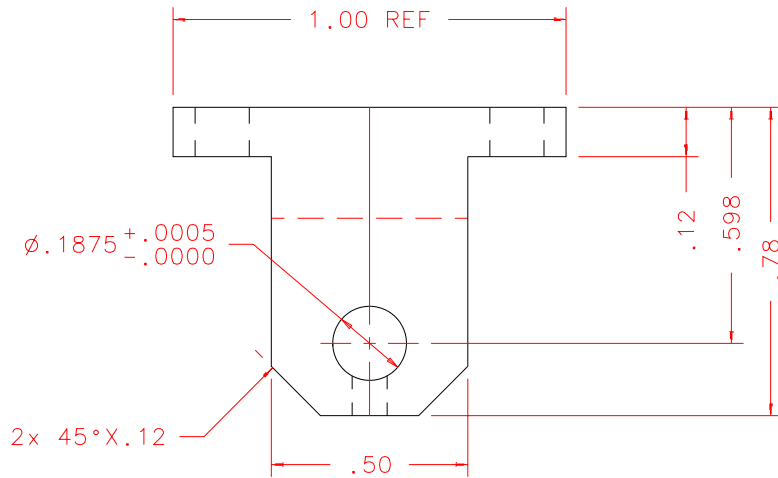
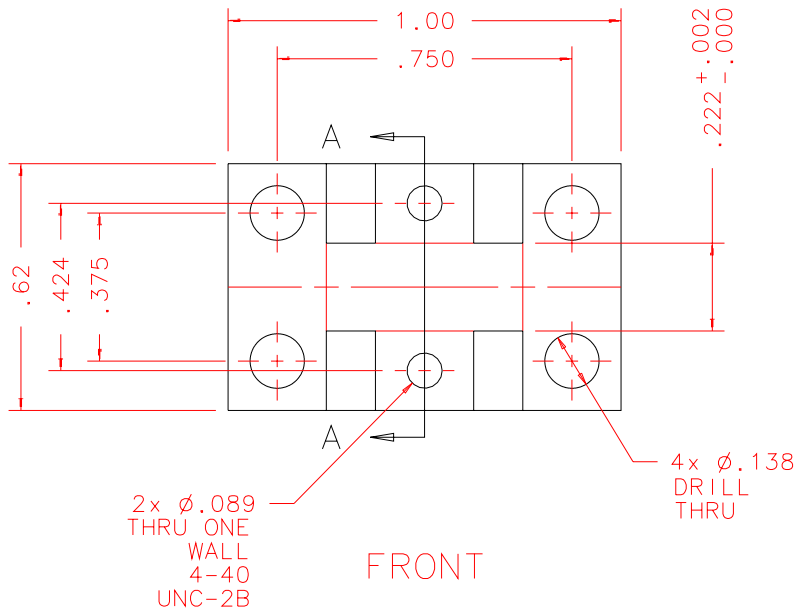


NOTES: UNLESS OTHERWISE NOTED

1. MACHINED SURFACE ROUGHNESS 64
O-RING GROOVES AND SURFACES 32
2. REMOVE ALL BURRS/SHARP CORNERS

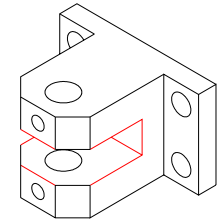


TOP

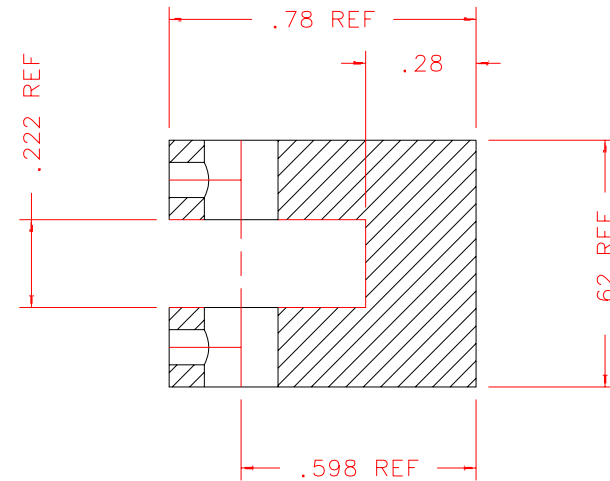


FRONT

BILL OF MATERIAL				
NO.	REQ'D	REF DRW	DESCRIPTION	MATERIAL
N/A	1	SK4-011A	GUIDE BEARING MOUNT	ALU 6061-T6



ISOVIEW 5
FULL SCALE



SECTION A-A

REVDATE: N/A	REVISION: N/A
DATE: 12/18/97	INSTITUTE FOR ASTRONOMY
DESIGN: STAHLBERGER	2680 WOODLAWN DR. HONOLULU, HI 96822
DRAWN: STAHLBERGER	INSTRUMENT: SPEX - CROSS DISPERSED SPECTROGRAPH
APPR'D: J. RAYNER	PART NAME: GUIDE BEARING MOUNT
TOLERANCES	
X.X	+/- .015
X.XX	+/- .005
X.XXX	+/- .002
ANGLE	+/- 30 min
FRACTION	+/- 1/32
TELESCOPE: IRTF	
DRW NO: SK4-011A	SCALE: 2:1
SIZE: A	JOS NO: 725
	SHEET: 1 OF 1

SK4-001B
NEXT ASSY

PLOT: 10/19/99