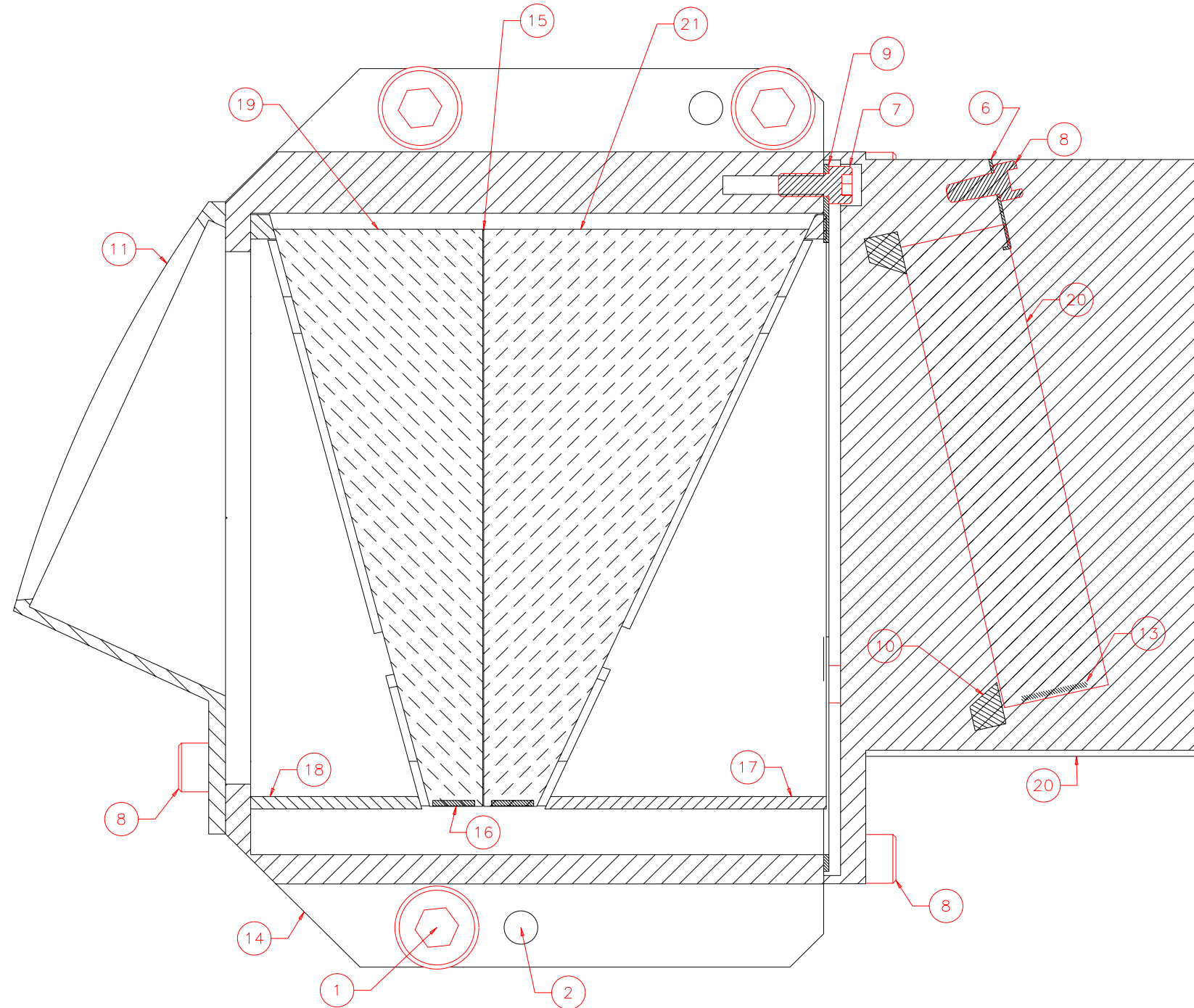


NOTES: UNLESS OTHERWISE NOTED  
 1. MACHINED SURFACE ROUGHNESS 64  
 O-RING GROOVES AND SURFACES 32  
 2. REMOVE ALL BURRS/SHARP CORNERS



SECTION A-A: SCALE 2:1

BILL OF MATERIAL				
NO.	REQ'D	REF DRW	DESCRIPTION	MATERIAL
N/A	1	SK5-001B	SXD1 MOUNT	N/A
1	3	N/A	CAPTIVE SCREW Z12-6-H(BERG)	STAINLESS
2	2	N/A	DOWEL PIN D14-10(BERG)	STAINLESS
3	2	N/A	DOWEL PIN D13-6(BERG)	STAINLESS
4	2	SK5-024A	FIDUCIAL CLAMP	PHOS.BRONZE
5	2	SK5-025A	FIDUCIAL COVER	ALU 6061-T6
6	3	SK5-026A	GRATING CLIP	PHOS.BRONZE
7	10	N/A	HEX SOCKET HEAD 2-56 x 3/16	STAINLESS
8	8	N/A	HEX SOCKET HEAD 4-40 x 3/8	STAINLESS
9	1	SK5-011A	SXD1 AXIAL SPRING	PHOS.BRONZE
10	1	SK5-012A	SXD1 AXIAL SUPPORT/MASK	ALU 6061-T6
11	1	SK5-013A	SXD1 FRONT BAFFLE	ALU 6061-T6
12	1	SK5-014B	SXD1 GRATING MOUNT	ALU 6061-T6
13	2	SK5-015A	SXD1 GRATING SPRING RADIAL	PHOS.BRONZE
14	1	SK5-023B	SXD1 PRISM MOUNT	ALU 6061-T6
15	1	SK5-016A	SXD1 PRISM SPACER	PHOS.BRONZE
16	1	SK5-017A	SXD1 RADIAL SPRING	PHOS.BRONZE
17	1	SK5-018A	SXD1 SPACER BACK	ALU 6061-T6
18	1	SK5-019A	SXD1 SPACER FRONT	ALU 6061-T6
19	1	S06-012A	SXD1-FS-PRISM(ROUND)	FUSED SILICA
20	1	SK5-021A	SXD1-GRATING	GLASS
21	1	S06-011A	SXD1-ZN-PRISM(ROUND)	ZNSE

REVDATE: 08/16/99	REVISION: UPDATE DRAWING
REVDATE: 08/03/99	REVISION: UPDATE DRAWING
REVDATE: N/A	REVISION: N/A
DATE: 07/02/99	<b>INSTITUTE FOR ASTRONOMY</b>
DESIGN: STAHLBERGER	2680 WOODLAWN DR. HONOLULU, HI 96822
DRAWN: STAHLBERGER	INSTRUMENT: SPEX - CROSS DISPERSED SPECTROGRAPH
APPR'D: J. RAYNER	PART NAME: SXD1 MOUNT
<b>TOLERANCES</b>	TELESCOPE: IRTF
X.X +/- .015	
X.XX +/- .005	
X.XXX +/- .002	
ANGLE +/- 30 min	
FRACTION +/- 1/32	
SK0-001B	DRW NO: SK5-001B
NEXT ASSY	SCALE: NOTED
	SIZE: B
	JOS NO: 725
	SHEET: 3 OF 3