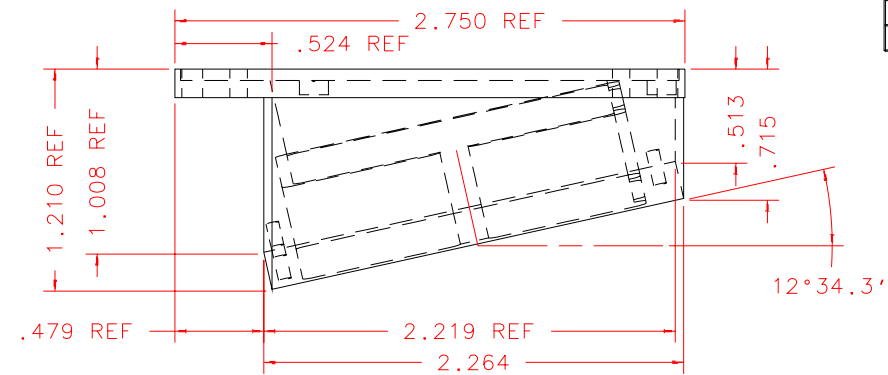
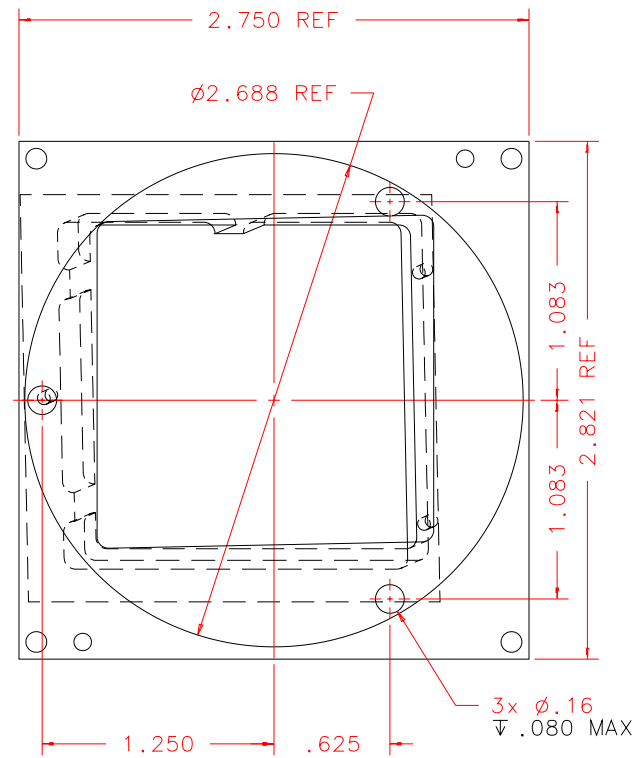


NOTES: UNLESS OTHERWISE NOTED
 1. MACHINED SURFACE ROUGHNESS 64
 O-RING GROOVES AND SURFACES 32
 2. REMOVE ALL BURRS/SHARP CORNERS

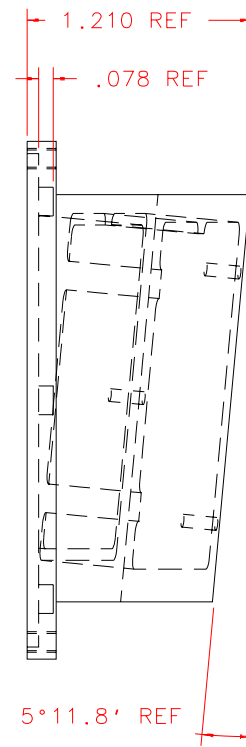
BILL OF MATERIAL				
NO.	REQ'D	REF DRW	DESCRIPTION	MATERIAL
N/A	1	SK5-014B	SXD1 GRATING MOUNT	ALU 6061-T6



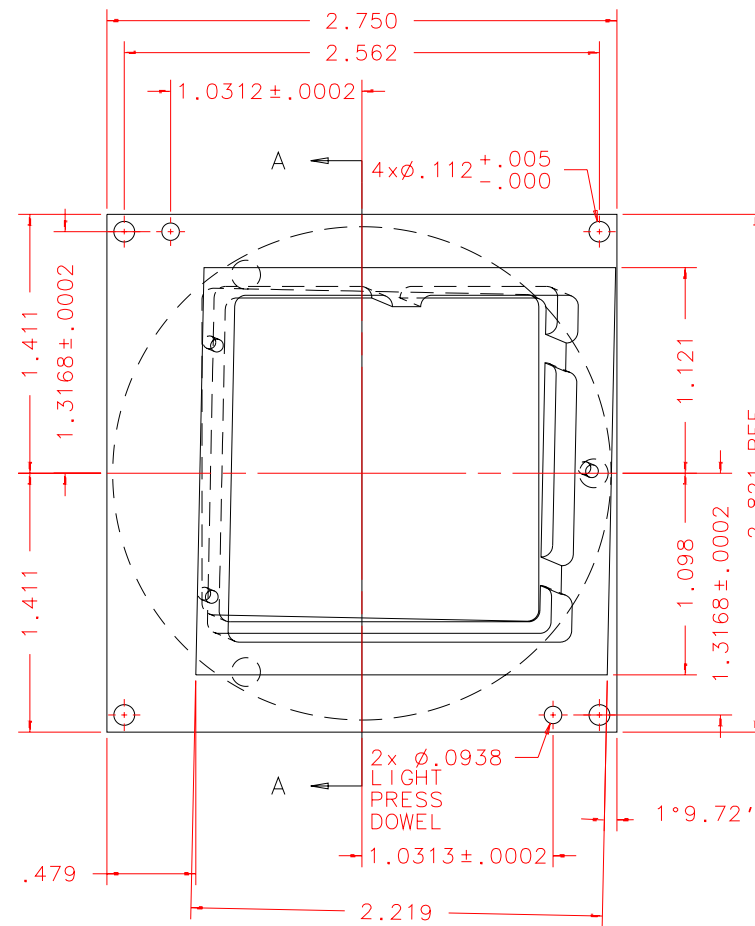
TOP



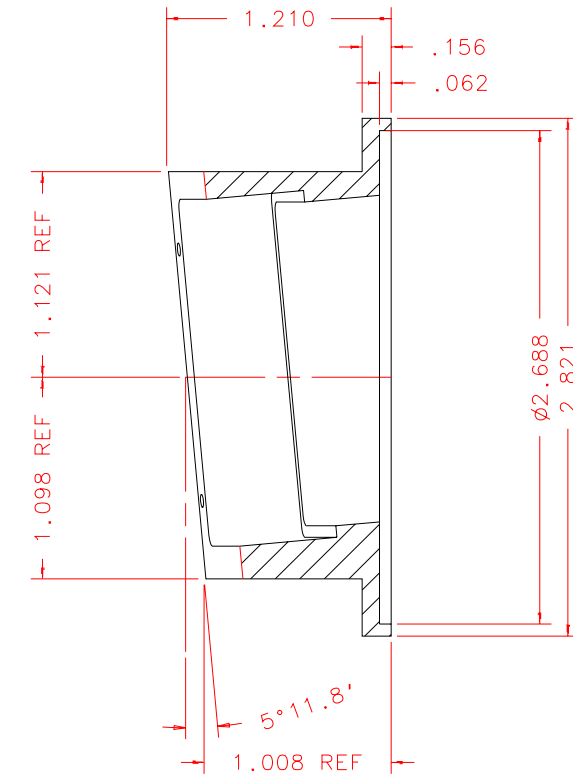
BACK



LEFT



FRONT



SECTION A-A

REVDATE: 08/16/99	REVISION: CHANGED DEPTH IN BACK TO .080MAX
REVDATE: N/A	REVISION: N/A
DATE: 06/25/99	INSTITUTE FOR ASTRONOMY
DESIGN: STAHLBERGER	2680 WOODLAWN DR. HONOLULU, HI 96822
DRAWN: STAHLBERGER	INSTRUMENT: SPEX - CROSS DISPERSED SPECTROGRAPH
APPR'D: J. RAYNER	PART NAME: SXD1 GRATING MOUNT
TOLERANCES	TELESCOPE: IRTF
X.X +/- .015	
X.XX +/- .005	
X.XXX +/- .002	
ANGLE +/- 30 min	
FRACTION +/- 1/32	
SK5-001B	DRW NO: SK5-014B
NEXT ASSY	SCALE: 1:1
	SIZE: B
	JOS NO: 725
	SHEET: 1 OF 3