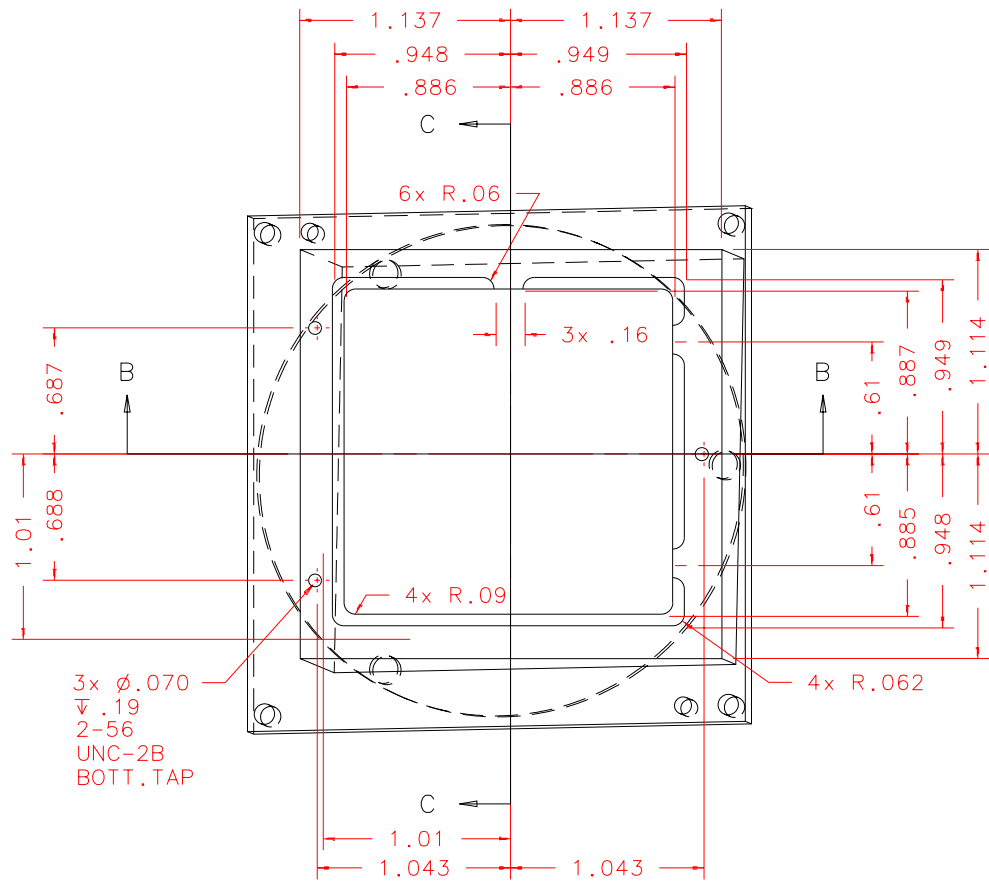
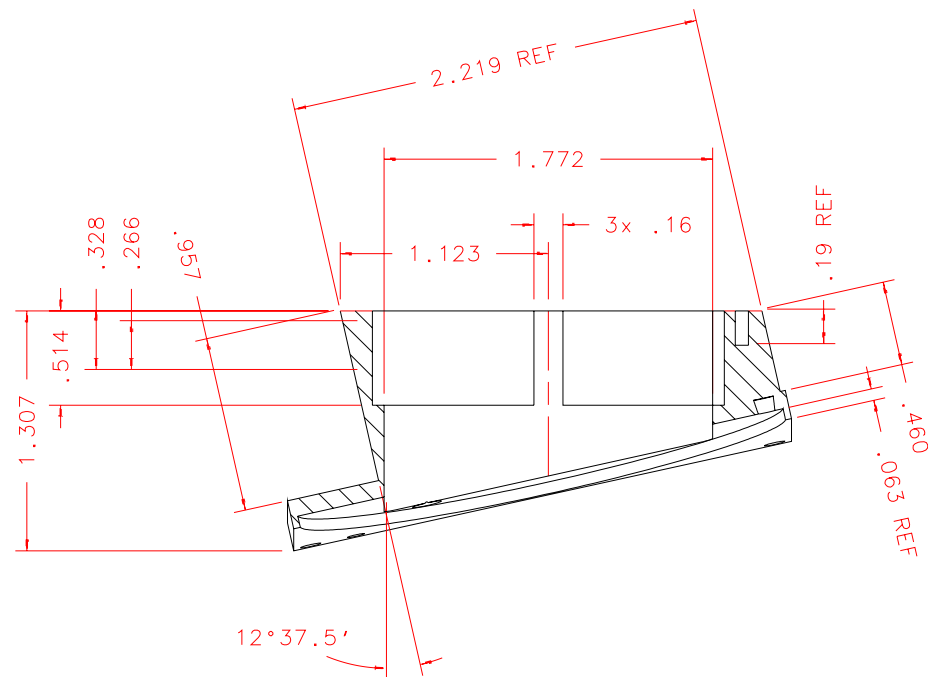


NOTES: UNLESS OTHERWISE NOTED
 1. MACHINED SURFACE ROUGHNESS 64
 O-RING GROOVES AND SURFACES 32
 2. REMOVE ALL BURRS/SHARP CORNERS

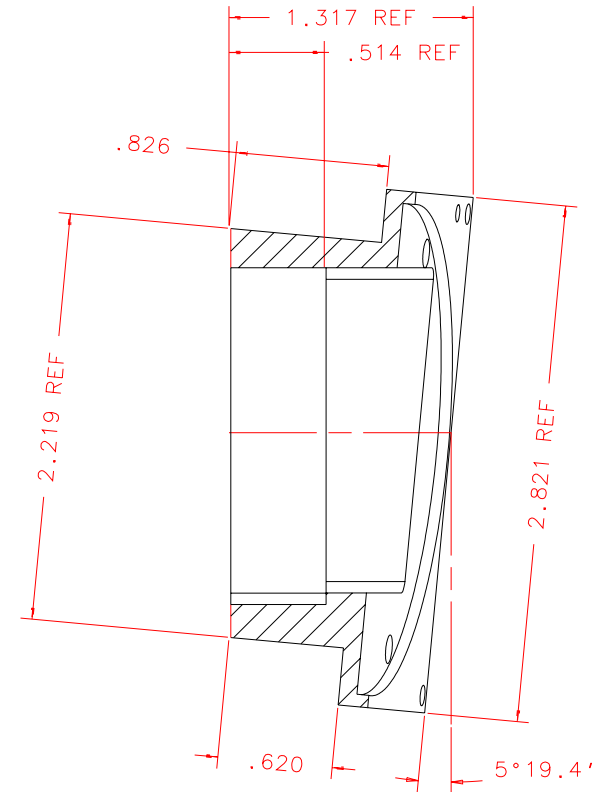


VIEW 7



SECTION B-B

BILL OF MATERIAL				
NO.	REQ'D	REF DRW	DESCRIPTION	MATERIAL
N/A	1	SK5-014B	SXD1 GRATING MOUNT	ALU 6061-T6



SECTION C-C

REVDATE: 08/16/99	REVISION: CHANGED DEPTH IN BACK TO .080MAX
REVDATE: N/A	REVISION: N/A
DATE: 06/25/99	INSTITUTE FOR ASTRONOMY
DESIGN: STAHLBERGER	2680 WOODLAWN DR. HONOLULU, HI 96822
DRAWN: STAHLBERGER	INSTRUMENT: SPEX - CROSS DISPERSED SPECTROGRAPH
APPR'D: J. RAYNER	PART NAME: SXD1 GRATING MOUNT
TOLERANCES	
X.X	+/- .015
X.XX	+/- .005
X.XXX	+/- .002
ANGLE	+/- 30 min
FRACTION	+/- 1/32
DRW NO: SK5-014B	SCALE: 1:1
SIZE: B	JOS NO: 725
	SHEET: 2 OF 3