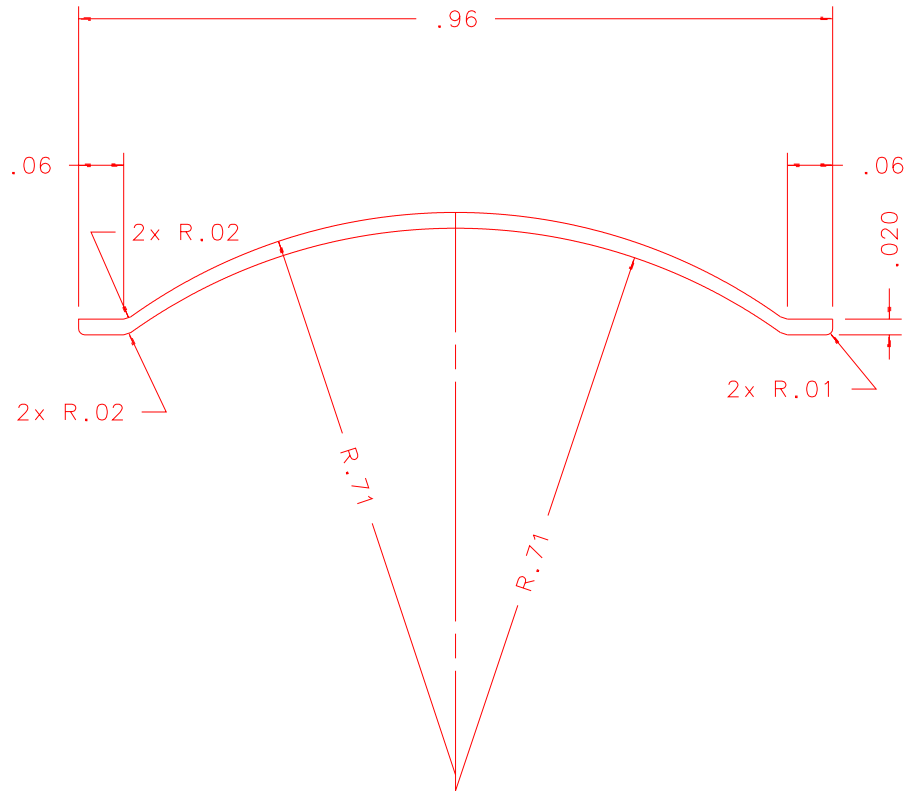


NOTES: UNLESS OTHERWISE NOTED

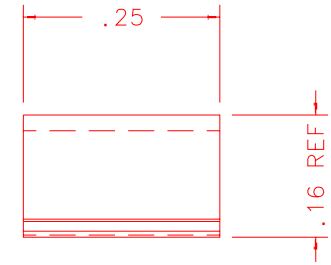
1. MACHINED SURFACE ROUGHNESS 64  
O-RING GROOVES AND SURFACES 32
2. REMOVE ALL BURRS/SHARP CORNERS

BILL OF MATERIAL

NO.	REQ'D	REF DRW	DESCRIPTION	MATERIAL
N/A	2	SK5-015A	SXD1 GRATING SPRING RADIAL	PHOS. BRONZE



FRONT



RIGHT

REVDATE: N/A	REVISION: N/A
DATE: 06/28/99	<b>INSTITUTE FOR ASTRONOMY</b>
DESIGN: STAHLBERGER	2680 WOODLAWN DR. HONOLULU, HI 96822
DRAWN: STAHLBERGER	INSTRUMENT: SPEX - CROSS DISPERSED SPECTROGRAPH
APPR'D: J. RAYNER	PART NAME: SXD1 GRATING SPRING RADIAL
	TELESCOPE: IRTF
<b>TOLERANCES</b>	
X.X	+/- .015
X.XX	+/- .005
X.XXX	+/- .002
ANGLE	+/- 30 min
FRACTION	+/- 1/32
SK5-001B	DRW NO: SK5-015A
NEXT ASSY	SCALE: 4:1
	SIZE: A
	JOS NO: 725
	SHEET: 1 OF 1

PLOT: 10/19/99