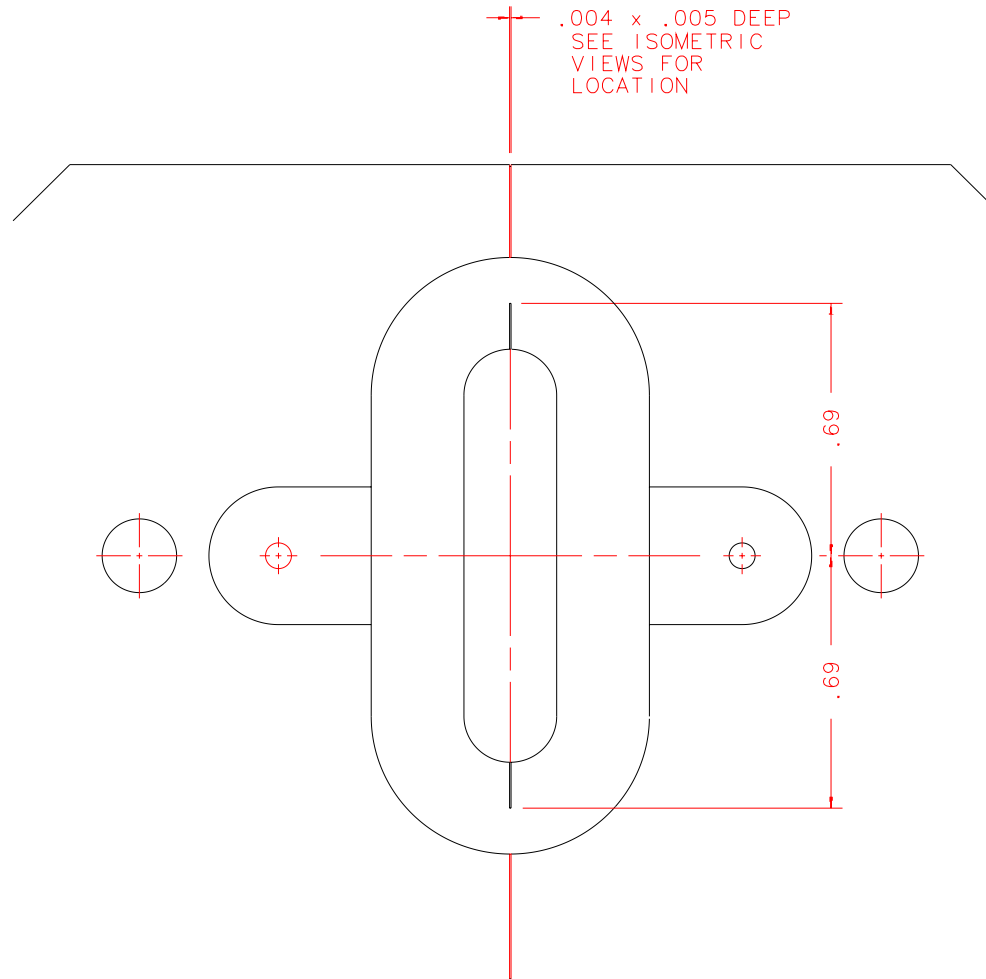
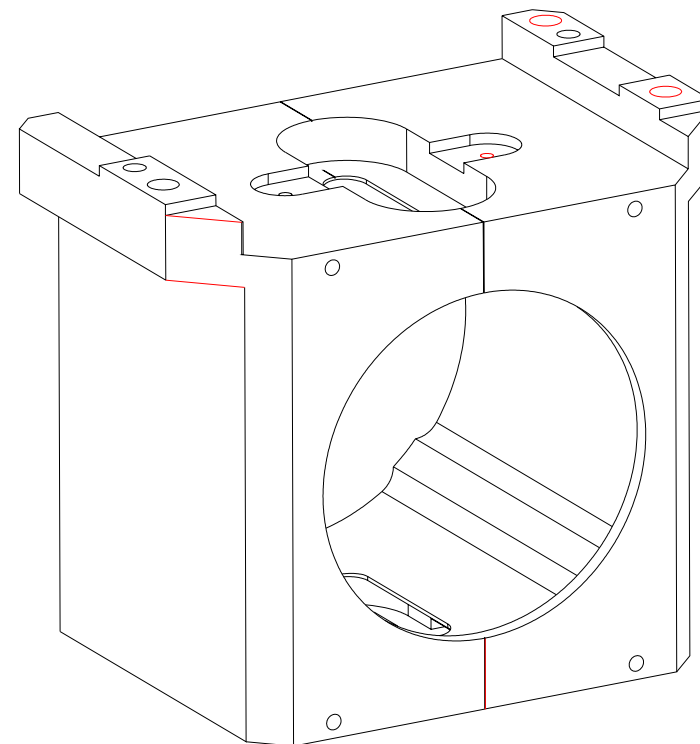


NOTES: UNLESS OTHERWISE NOTED  
 1. MACHINED SURFACE ROUGHNESS 64  
 O-RING GROOVES AND SURFACES 32  
 2. REMOVE ALL BURRS/SHARP CORNERS

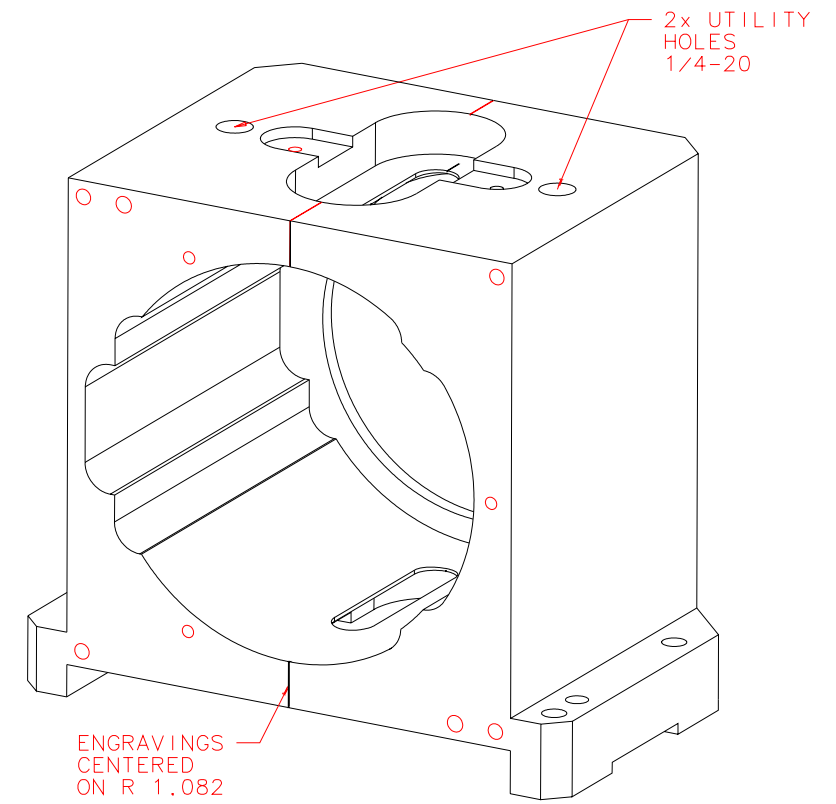
BILL OF MATERIAL				
NO.	REQ'D	REF DRW	DESCRIPTION	MATERIAL
N/A	1	SK5-023B	SXD1 PRISM MOUNT VER2	ALU 6061-T6



DETAIL C:  
 SCALE 2:1  
 (ENGRAVING)



ISOVIEW 7



ISOVIEW 8

REVDATE: 08/16/99	REVISION: ADD SECOND FIDUCIAL PORT
REVDATE: 08/10/99	REVISION: ADD CAPTIVE SCREW DETAIL
REVDATE: 08/10/99	REVISION: DIM 4 TAPPED HOLES
REVDATE: N/A	REVISION: N/A
DATE: 06/28/99	<b>INSTITUTE FOR ASTRONOMY</b>
DESIGN: STAHLBERGER	2680 WOODLAWN DR. HONOLULU, HI 96822
DRAWN: STAHLBERGER	INSTRUMENT: SPEX - CROSS DISPERSED SPECTROGRAPH
APPR'D: J. RAYNER	PART NAME: SXD1 PRISM MOUNT VER2
<b>TOLERANCES</b>	
X.X	+/- .015
X.XX	+/- .005
X.XXX	+/- .002
ANGLE	+/- 30 min
FRACTION	+/- 1/32
TELESCOPE: IRTF	
SK5-001B	DRW NO: SK5-023B
NEXT ASSY	SCALE: 1:1
	SIZE: B
	JOS NO: 725
	SHEET: 3 OF 3