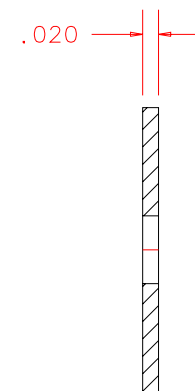
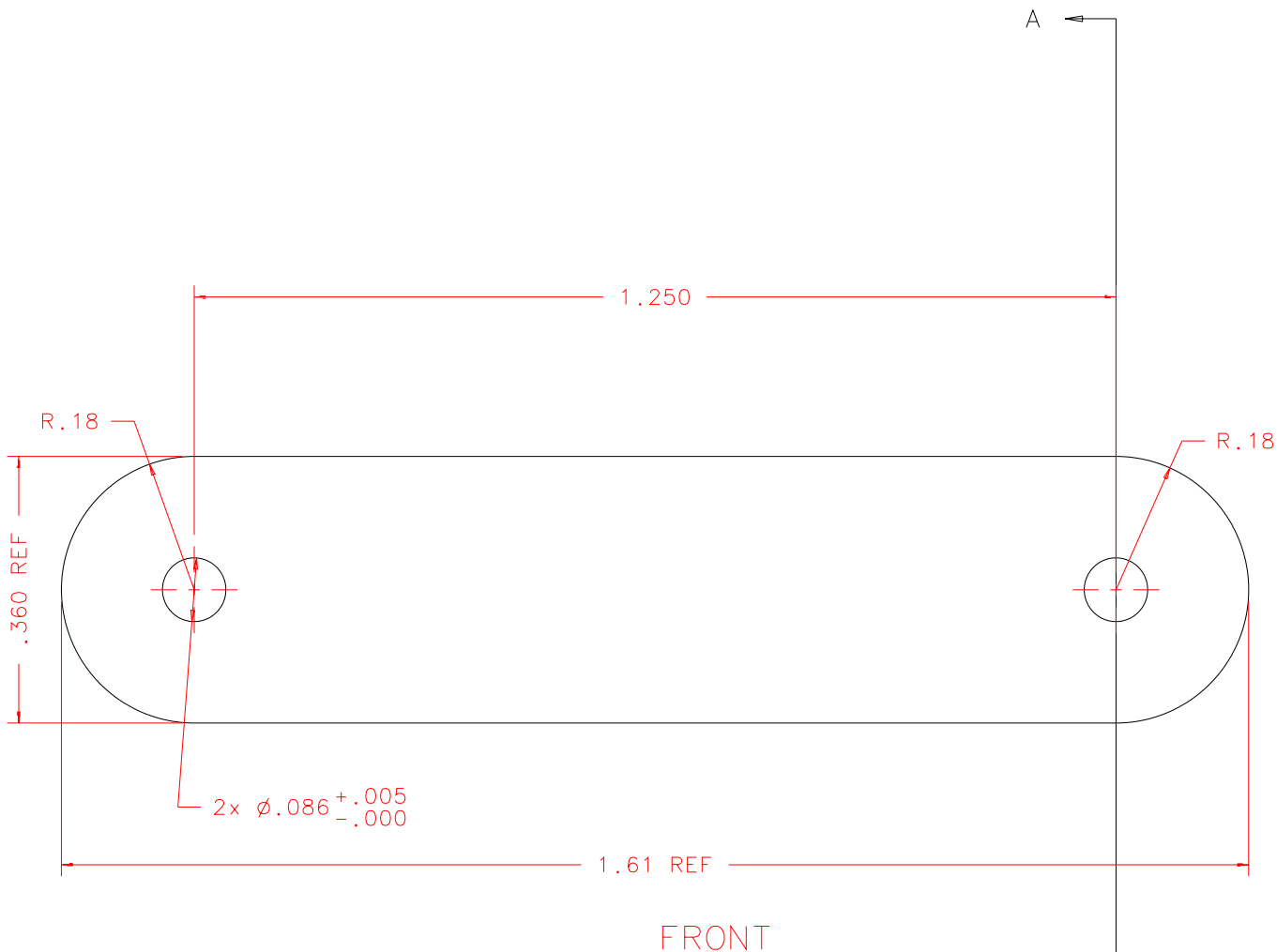


NOTES: UNLESS OTHERWISE NOTED

1. MACHINED SURFACE ROUGHNESS 64
O-RING GROOVES AND SURFACES 32
2. REMOVE ALL BURRS/SHARP CORNERS

BILL OF MATERIAL				
NO.	REQ'D	REF DRW	DESCRIPTION	MATERIAL
N/A	2	SK5-024A	FIDUCIAL CLAMP	PHOS. BRONZE



SECTION A-A

FRONT

REVDATE: 08/16/99	REVISION: CHANGED OVERALL LENGTH
REVDATE: N/A	REVISION: N/A
DATE: 06/21/99	INSTITUTE FOR ASTRONOMY
DESIGN: STAHLBERGER	2680 WOODLAWN DR. HONOLULU, HI 96822
DRAWN: STAHLBERGER	INSTRUMENT: SPEX - CROSS DISPERSED SPECTROGRAPH
APPR'D: J. RAYNER	PART NAME: FIDUCIAL CLAMP
	TELESCOPE: IRTF
TOLERANCES	
X.X	+/- .015
X.XX	+/- .005
X.XXX	+/- .002
ANGLE	+/- 30 min
FRACTION	+/- 1/32
SK5-001A	DRW NO: SK5-024A
NEXT ASSY	SCALE: 4:1
	SIZE: A
	JOS NO: 725
	SHEET: 1 OF 1

PLOT: 10/19/99