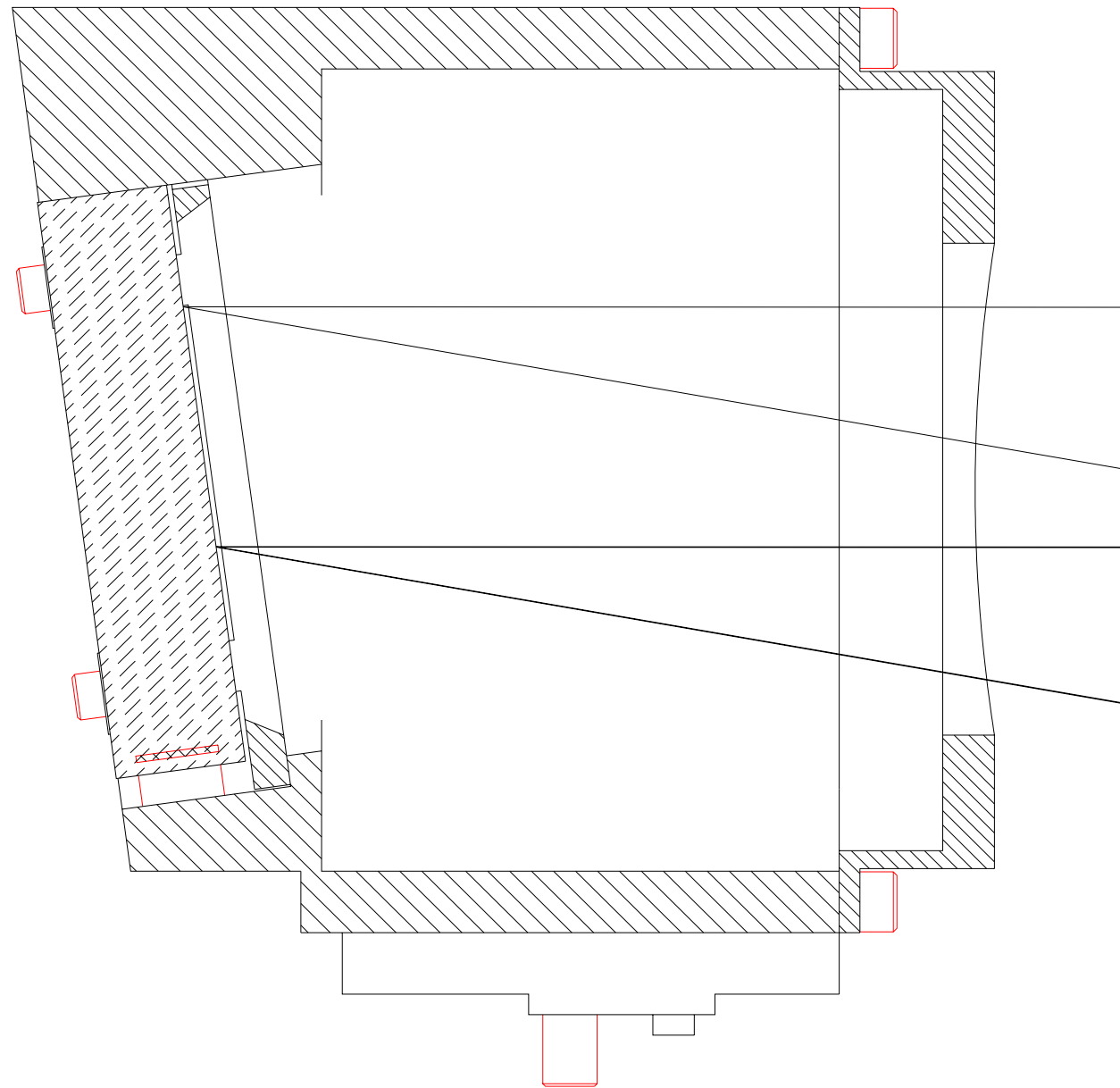
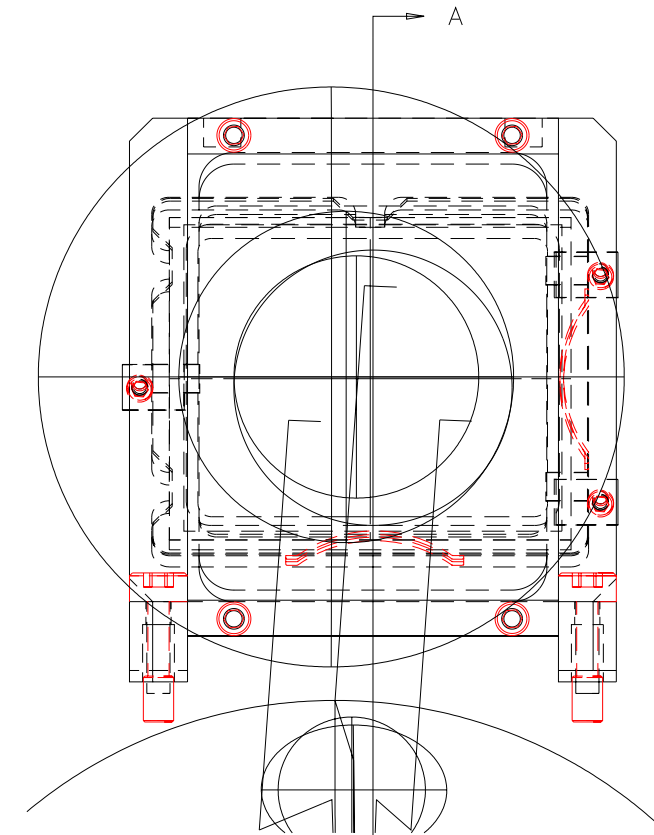


NOTES: UNLESS OTHERWISE NOTED
 1. MACHINED SURFACE ROUGHNESS 64
 O-RING GROOVES AND SURFACES 32
 2. REMOVE ALL BURRS/SHARP CORNERS



SECTION A-A: SCALE 2:1

BILL OF MATERIAL					
NO.	REQ'D	REF DRW	DESCRIPTION	MATERIAL	
N/A	1	SK6-001B	LLS1 MOUNT	N/A	
1	3	N/A	CAPTIVE SCREW Z12-6-H(BERG)	STAINLESS	
2	2	N/A	DOWEL PIN 1/8 x 1/2 D14-10(BERG)	STAINLESS	
3	3	SK5-026A	GRATING CLIP	PHOS.BRONZE	
4	3	N/A	HEX SOCKET HEAD 2-56 x 3/16	STAINLESS	
5	4	N/A	HEX SOCKET HEAD 4-40 x 3/8	STAINLESS	
6	1	SK6-011A	LLS1 AXIAL SUPPORT/MASK	ALU 6061-T6	
7	1	SK6-012A	LLS1 FRONT BAFFLE	ALU 6061-T6	
8	1	SK6-013B	LLS1 GRATING MOUNT	ALU 6061-T6	
9	1	SK6-014A	LLS1 GRATING	GLASS	
10	2	SK5-015A	SXD1 GRATING SPRING RADIAL	PHOS.BRONZE	



VIEW2: SCALE 1:1

REVDATE: N/A	REVISION: N/A
DATE: 09/29/99	INSTITUTE FOR ASTRONOMY
DESIGN: STAHLBERGER	2680 WOODLAWN DR. HONOLULU, HI 96822
DRAWN: STAHLBERGER	INSTRUMENT: SPEX - CROSS DISPERSED SPECTROGRAPH
APPR'D: J. RAYNER	PART NAME: LLS1 MOUNT
TOLERANCES	TELESCOPE: IRTF
X.X +/- .015	DRW NO: SK6-001B
X.XX +/- .005	SCALE: NOTED
X.XXX +/- .002	SIZE: B
ANGLE +/- 30 min	JOS NO: 725
FRACTION +/- 1/32	SHEET: 2 OF 2

PLOT: 10/19/99