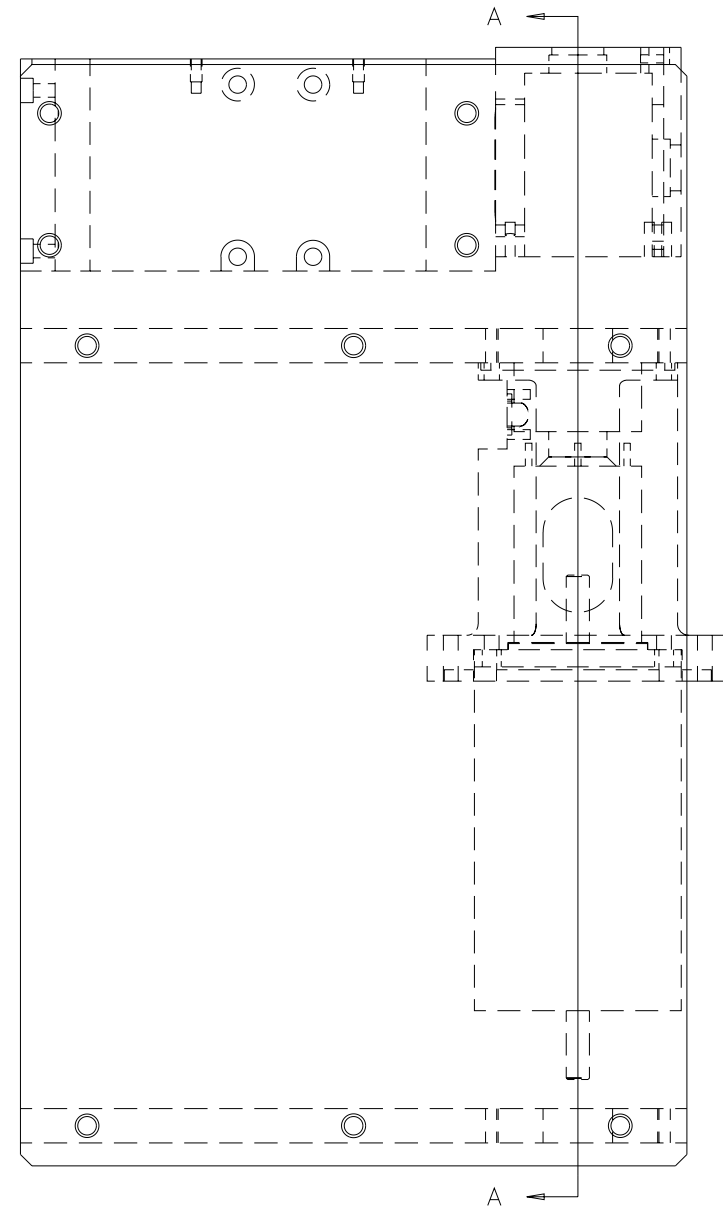
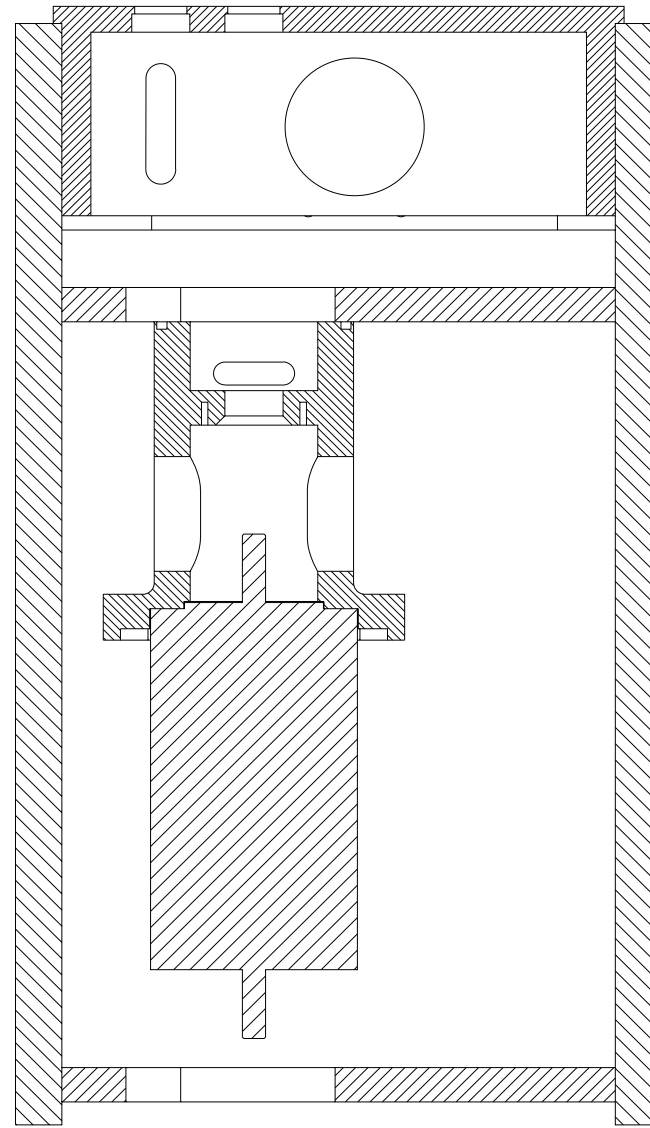


NOTES: UNLESS OTHERWISE NOTED
 1. MACHINED SURFACE ROUGHNESS 64
 O-RING GROOVES AND SURFACES 32
 2. REMOVE ALL BURRS/SHARP CORNERS

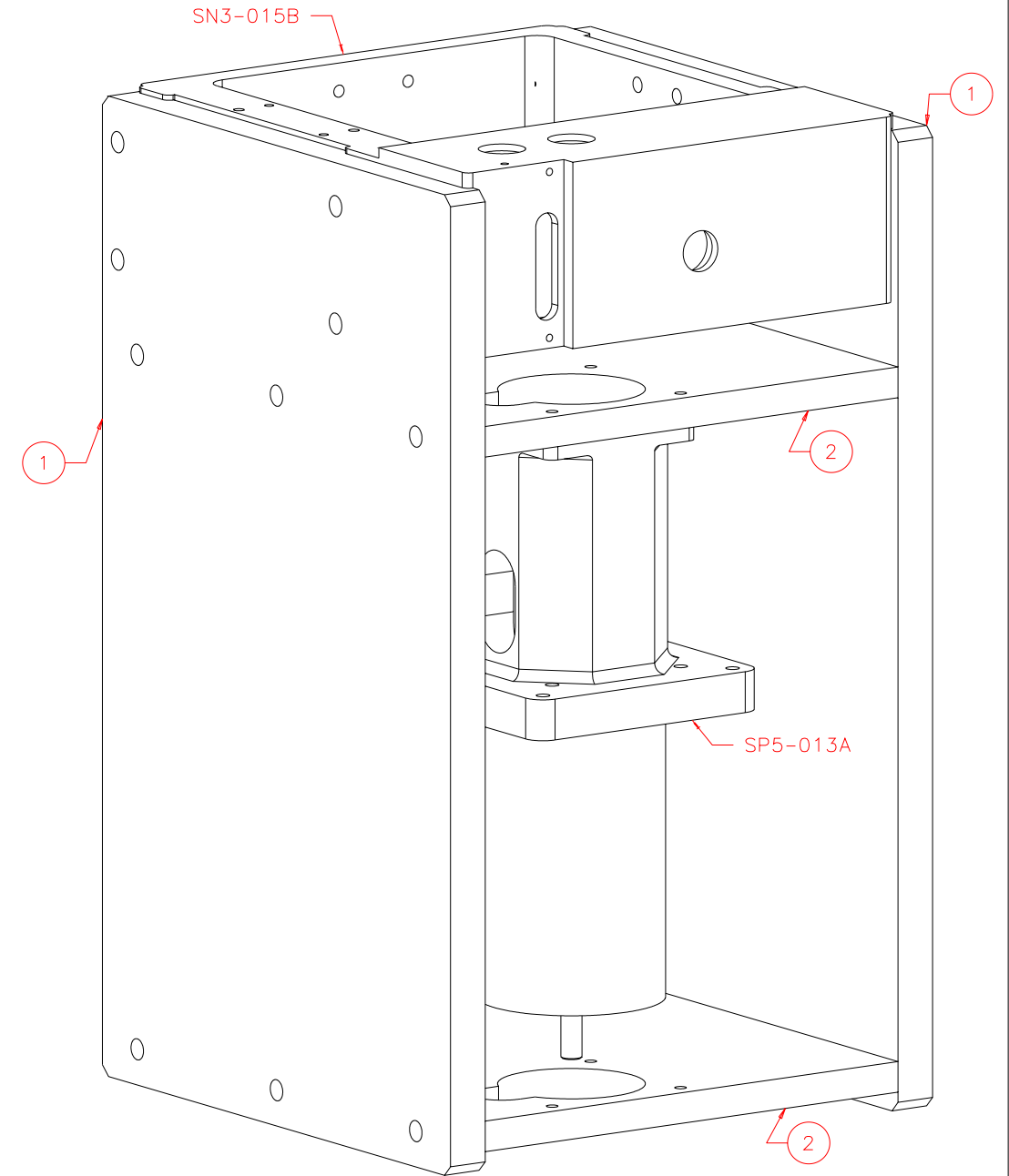
BILL OF MATERIAL				
NO.	REQ'D	REF DRW	DESCRIPTION	MATERIAL
N/A	1	SK6-001B	TEST JIG FOCUS STAGE	N/A
1	2	SK6-011A	GUSSET	ALU 6061-T6
2	2	SK6-012A	MOTOR MOUNTING PLATE	ALU 6061-T6



FRONT



SECTION A-A



REVDATE: 10/01/99	REVISION: UPDATE DRAWING
REVDATE: N/A	REVISION: N/A
DATE: 05/20/99	INSTITUTE FOR ASTRONOMY
DESIGN: STAHLBERGER	2680 WOODLAWN DR. HONOLULU, HI 96822
DRAWN: STAHLBERGER	INSTRUMENT: SPEX - CROSS DISPERSED SPECTROGRAPH
APPR'D: J. RAYNER	PART NAME: TEST JIG FOCUS STAGE
TOLERANCES	
X.X	+/- .015
X.XX	+/- .005
X.XXX	+/- .002
ANGLE	+/- 30 min
FRACTION	+/- 1/32
DRW NO: SK6-001B	SCALE: 1:2
SIZE: B	JOS NO: 725
	SHEET: 1 OF 1

PLOT: 10/19/99

N/A
NEXT ASSY