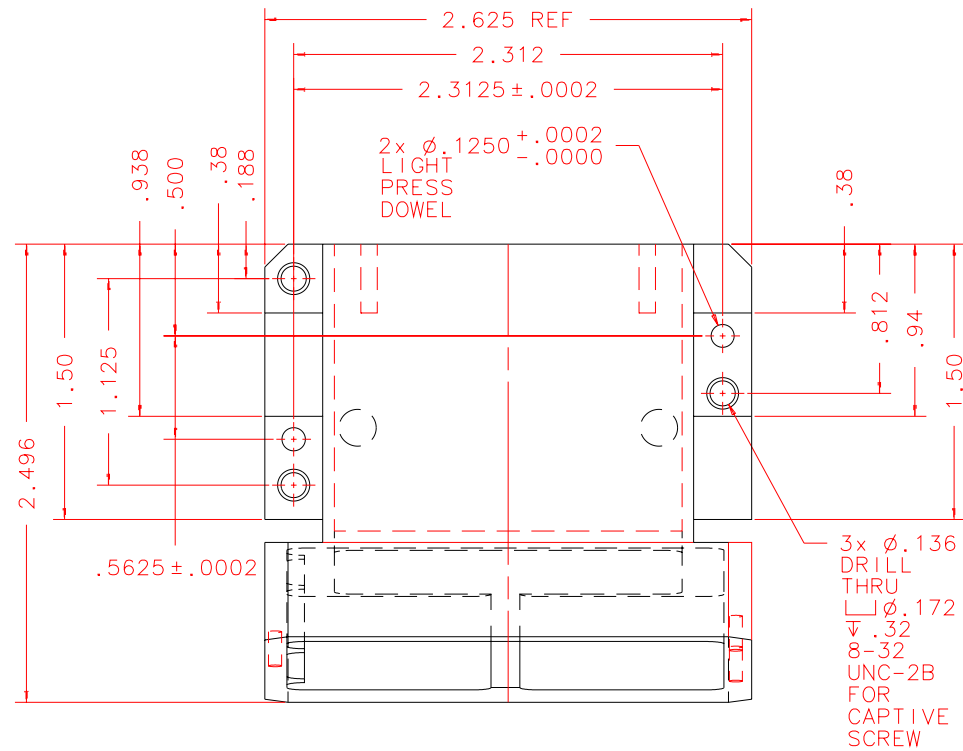
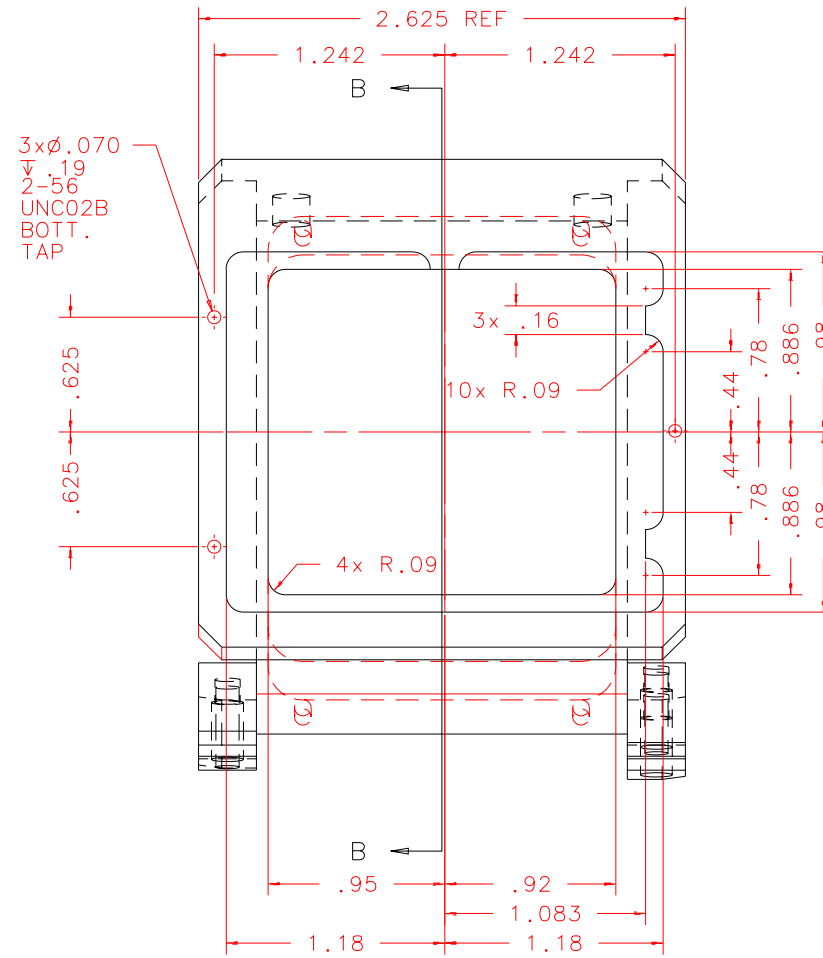


NOTES: UNLESS OTHERWISE NOTED
 1. MACHINED SURFACE ROUGHNESS 64
 O-RING GROOVES AND SURFACES 32
 2. REMOVE ALL BURRS/SHARP CORNERS

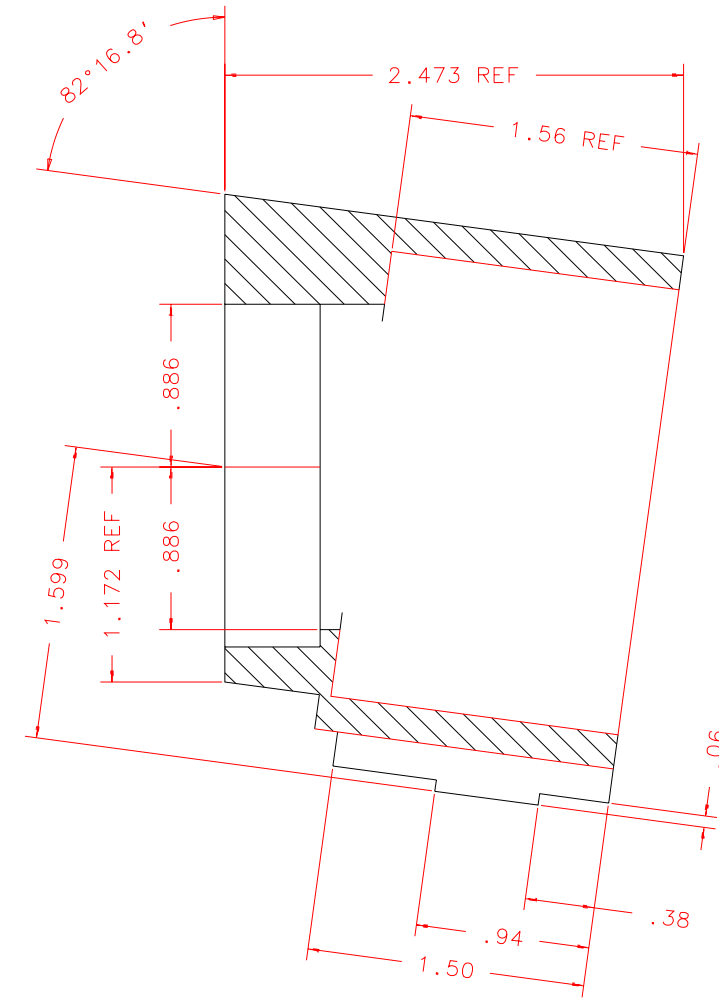
BILL OF MATERIAL				
NO.	REQ'D	REF DRW	DESCRIPTION	MATERIAL
N/A	1	SK6-013B	LLS1 GRATING MOUNT	ALU 6061-T6



BOTTOM



VIEW 6



SECTION B-B

PLOT: 10/19/99

SK6-001B	REVISION: N/A	INSTITUTE FOR ASTRONOMY	SCALE: 1:1
NEXT ASSY	DATE: 10/05/99	2680 WOODLAWN DR. HONOLULU, HI 96822	DRW NO: SK6-013B
	DESIGN: STAHLBERGER	INSTRUMENT: SPEX - CROSS DISPERSED SPECTROGRAPH	SIZE: B
	DRAWN: STAHLBERGER	PART NAME: LLS1 GRATING MOUNT	JOS NO: 725
	APPR'D: J. RAYNER	TELESCOPE: IRTF	SHEET: 2 OF 3
	TOLERANCES		
	X.X +/- .015		
	X.XX +/- .005		
	X.XXX +/- .002		
	ANGLE +/- 30 min		
	FRACTION +/- 1/32		