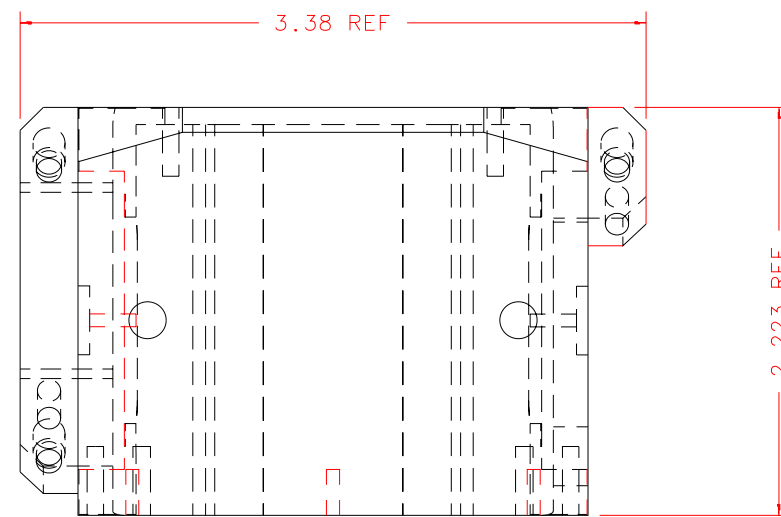
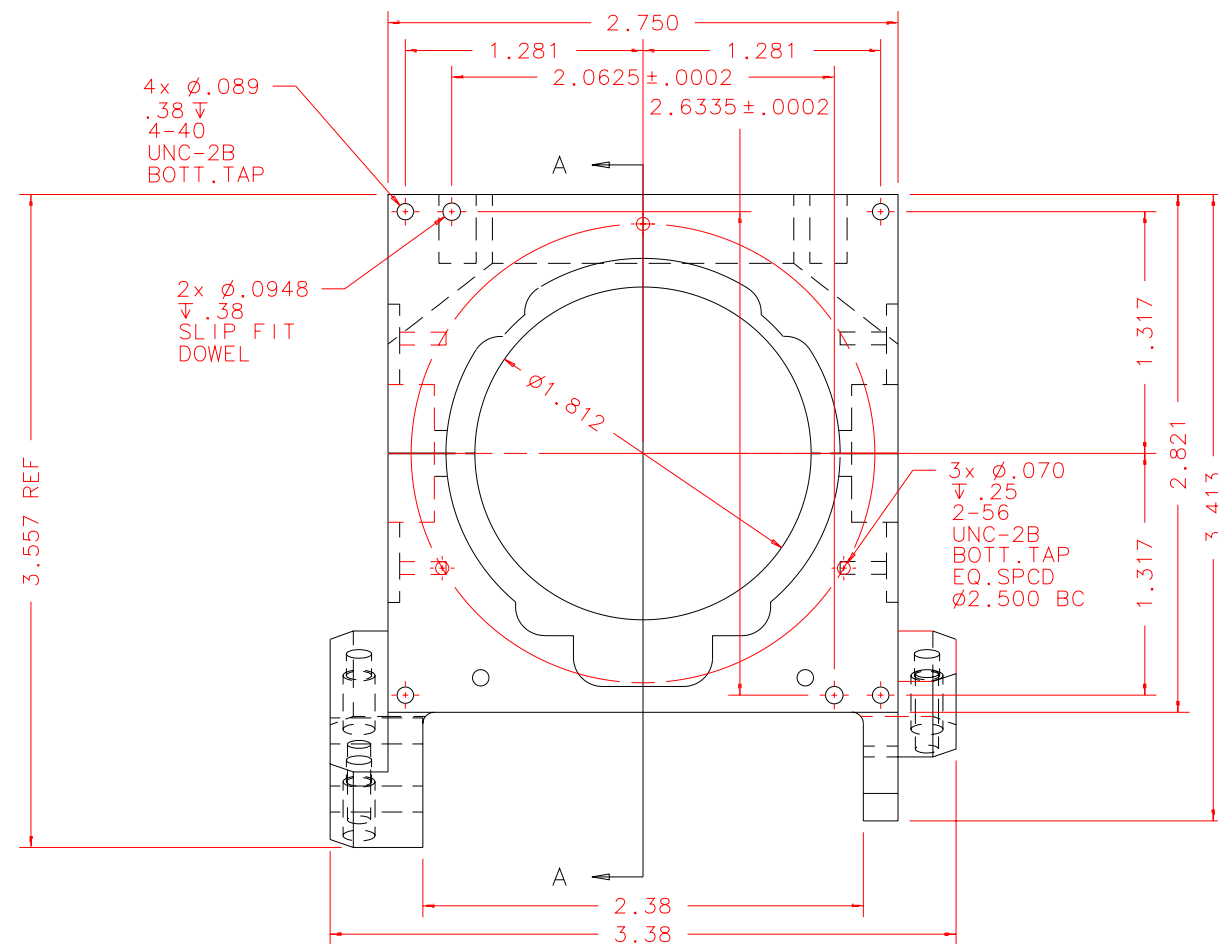


NOTES: UNLESS OTHERWISE NOTED  
 1. MACHINED SURFACE ROUGHNESS 64  
 O-RING GROOVES AND SURFACES 32  
 2. REMOVE ALL BURRS/SHARP CORNERS

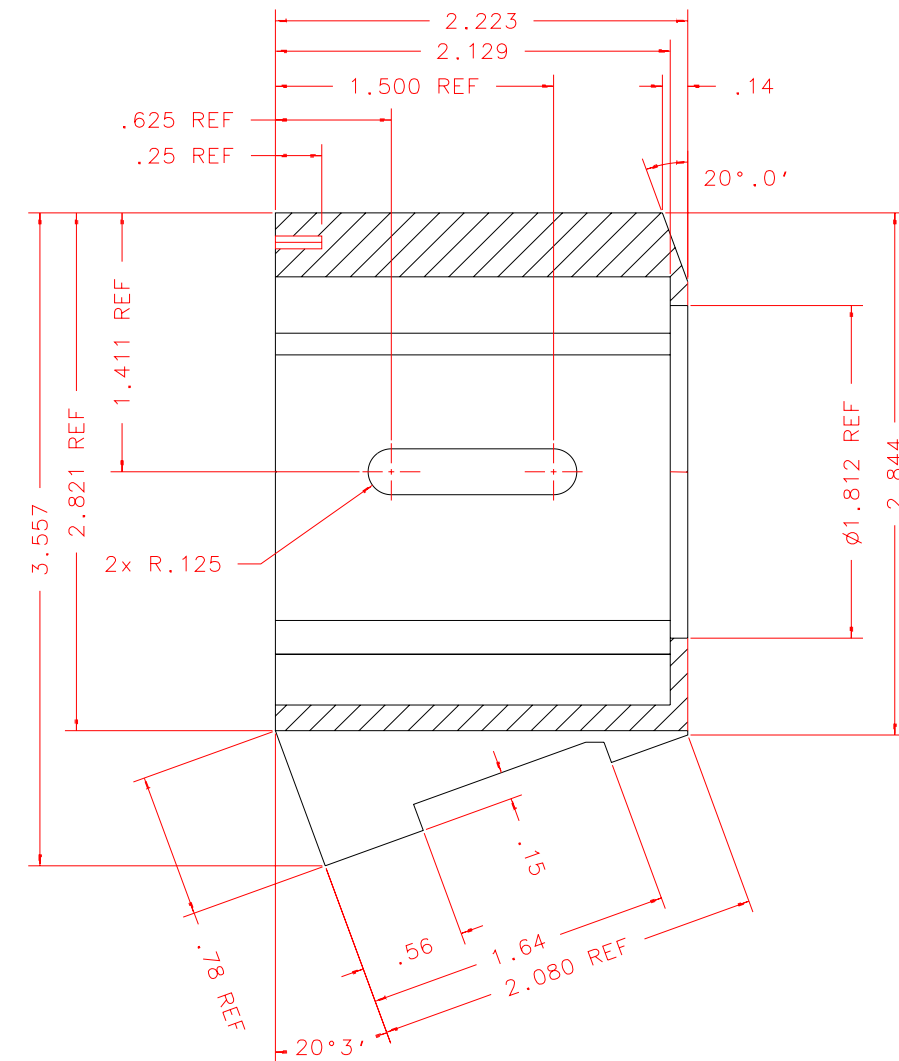
BILL OF MATERIAL				
NO.	REQ'D	REF DRW	DESCRIPTION	MATERIAL
N/A	1	SK7-013B	LOR1 PRISM MOUNT	ALU 6061-T6



TOP



FRONT



SECTION A-A

REVDATE: 10/01/99	REVISION: ADD VIEW 11 (HOLE PATTERN)
REVDATE: N/A	REVISION: N/A
DATE: 09/21/99	<b>INSTITUTE FOR ASTRONOMY</b>
DESIGN: STAHLBERGER	2680 WOODLAWN DR. HONOLULU, HI 96822
DRAWN: STAHLBERGER	INSTRUMENT: SPEX - CROSS DISPERSED SPECTROGRAPH
APPR'D: J. RAYNER	PART NAME: LOR1 PRISM MOUNT
<b>TOLERANCES</b>	
X.X	+/- .015
X.XX	+/- .005
X.XXX	+/- .002
ANGLE	+/- 30 min
FRACTION	+/- 1/32
DRW NO: SK7-013B	SCALE: 1:1
SIZE: B	JOS NO: 725
	SHEET: 1 OF 3

SK7-001B	NEXT ASSY
----------	-----------