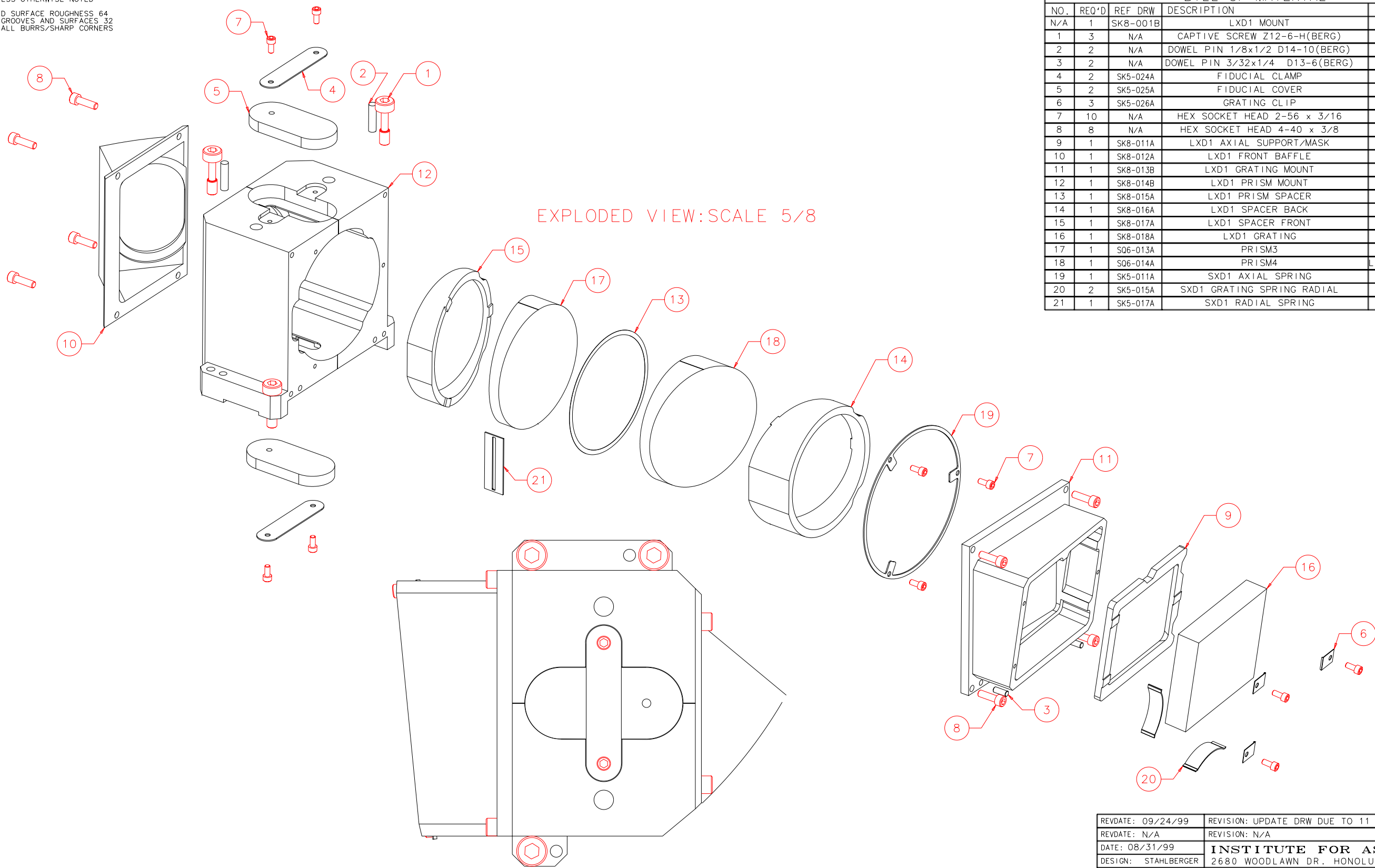


NOTES: UNLESS OTHERWISE NOTED
 1. MACHINED SURFACE ROUGHNESS 64
 O-RING GROOVES AND SURFACES 32
 2. REMOVE ALL BURRS/SHARP CORNERS



EXPLODED VIEW: SCALE 5/8

TOP: SCALE 1:1

BILL OF MATERIAL				
NO.	REQ'D	REF DRW	DESCRIPTION	MATERIAL
N/A	1	SK8-001B	LXD1 MOUNT	N/A
1	3	N/A	CAPTIVE SCREW Z12-6-H(BERG)	STAINLESS
2	2	N/A	DOWEL PIN 1/8x1/2 D14-10(BERG)	STAINLESS
3	2	N/A	DOWEL PIN 3/32x1/4 D13-6(BERG)	STAINLESS
4	2	SK5-024A	FIDUCIAL CLAMP	PHOS.BRONZE
5	2	SK5-025A	FIDUCIAL COVER	ALU 6061-T6
6	3	SK5-026A	GRATING CLIP	PHOS.BRONZE
7	10	N/A	HEX SOCKET HEAD 2-56 x 3/16	STAINLESS
8	8	N/A	HEX SOCKET HEAD 4-40 x 3/8	STAINLESS
9	1	SK8-011A	LXD1 AXIAL SUPPORT/MASK	ALU 6061-T6
10	1	SK8-012A	LXD1 FRONT BAFFLE	ALU 6061-T6
11	1	SK8-013B	LXD1 GRATING MOUNT	ALU 6061-T6
12	1	SK8-014B	LXD1 PRISM MOUNT	ALU 6061-T6
13	1	SK8-015A	LXD1 PRISM SPACER	PHOS.BRONZE
14	1	SK8-016A	LXD1 SPACER BACK	ALU 6061-T6
15	1	SK8-017A	LXD1 SPACER FRONT	ALU 6061-T6
16	1	SK8-018A	LXD1 GRATING	GLASS
17	1	S06-013A	PRISM3	GERMANIUM
18	1	S06-014A	PRISM4	LITHIUM FLORIDE
19	1	SK5-011A	SXD1 AXIAL SPRING	PHOS.BRONZE
20	2	SK5-015A	SXD1 GRATING SPRING RADIAL	PHOS.BRONZE
21	1	SK5-017A	SXD1 RADIAL SPRING	PHOS.BRONZE

REVDATE: 09/24/99	REVISION: UPDATE DRW DUE TO 11
REVDATE: N/A	REVISION: N/A
DATE: 08/31/99	INSTITUTE FOR ASTRONOMY
DESIGN: STAHLBERGER	2680 WOODLAWN DR. HONOLULU, HI 96822
DRAWN: STAHLBERGER	INSTRUMENT: SPEX - CROSS DISPERSED SPECTROGRAPH
APPR'D: J. RAYNER	PART NAME: LX D1 MOUNT
TOLERANCES	TELESCOPE: IRTF
X.X +/- .015	
X.XX +/- .005	
X.XXX +/- .002	
ANGLE +/- 30 min	
FRACTION +/- 1/32	
SK11-001B	DRW NO: SK8-001B
NEXT ASSY	SCALE: NOTED
	SIZE: B
	JOS NO: 725
	SHEET: 1 OF 1