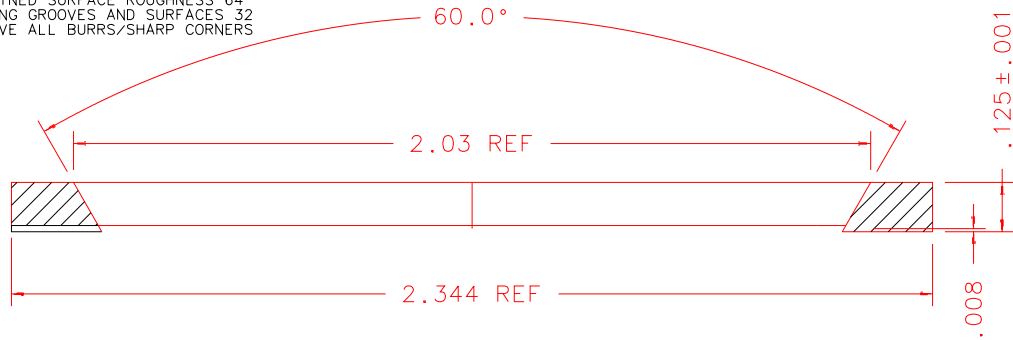
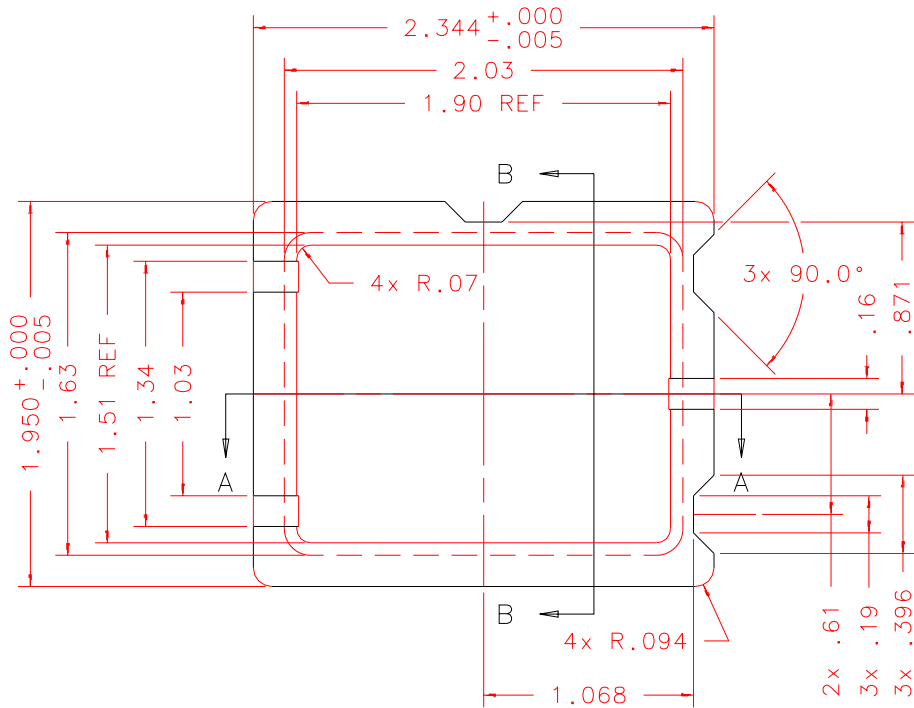


NOTES: UNLESS OTHERWISE NOTED

1. MACHINED SURFACE ROUGHNESS 64
O-RING GROOVES AND SURFACES 32
2. REMOVE ALL BURRS/SHARP CORNERS

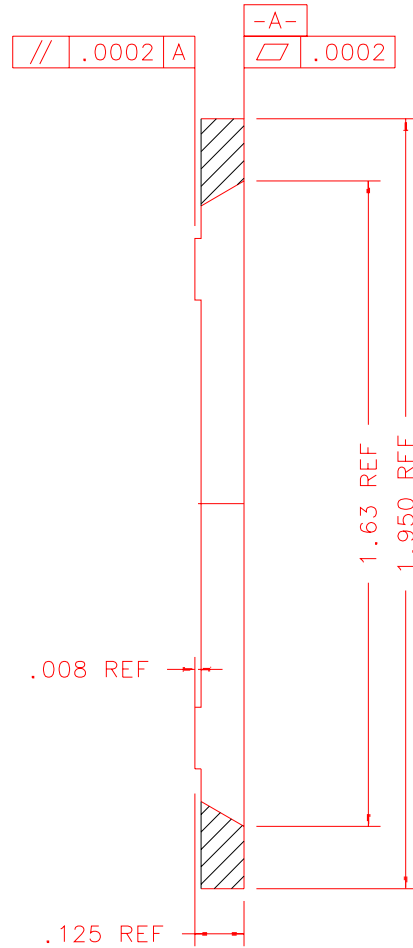


SECTION A-A: SCALE 2:1

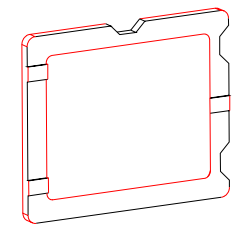


FRONT: SCALE 1:1

BILL OF MATERIAL				
NO.	REQ'D	REF DRW	DESCRIPTION	MATERIAL
N/A	1	SK8-011A	LXD1 AXIAL SUPPORT/MASK	ALU 6061-T6



SECTION B-B: SCALE 2:1



ISOMETRIC: SCALE 1:2

REVDATE: N/A	REVISION: N/A
DATE: 09/01/99	INSTITUTE FOR ASTRONOMY
DESIGN: STAHLBERGER	2680 WOODLAWN DR. HONOLULU, HI 96822
DRAWN: STAHLBERGER	INSTRUMENT: SPEX - CROSS DISPERSED SPECTROGRAPH
APPR'D: J. RAYNER	PART NAME: LXD1 AXIAL SUPPORT/MASK
TOLERANCES	
X.X	+/- .015
X.XX	+/- .005
X.XXX	+/- .002
ANGLE	+/- 30 min
FRACTION	+/- 1/32
TELESCOPE: IRTF	
SK8-001B	DRW NO: SK8-011A
NEXT ASSY	SCALE: NOTED
SIZE: A	JOS NO: 725
SHEET: 1 OF 1	

PLOT: 10/19/99