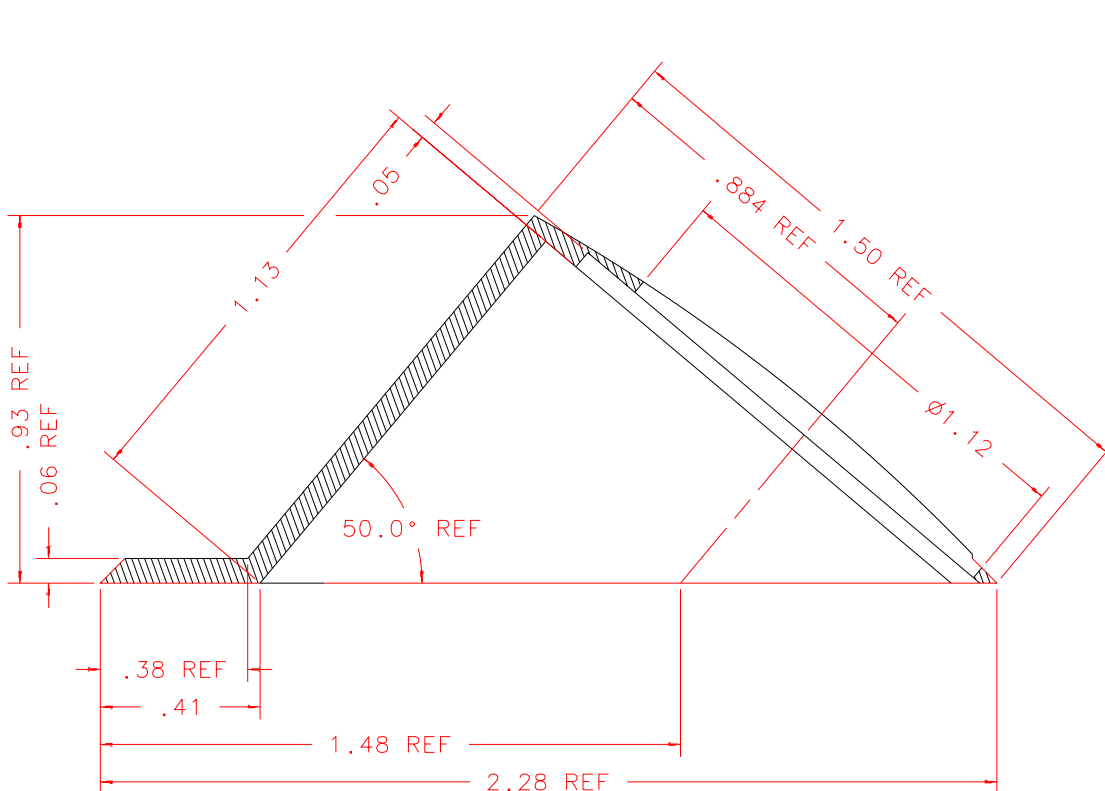


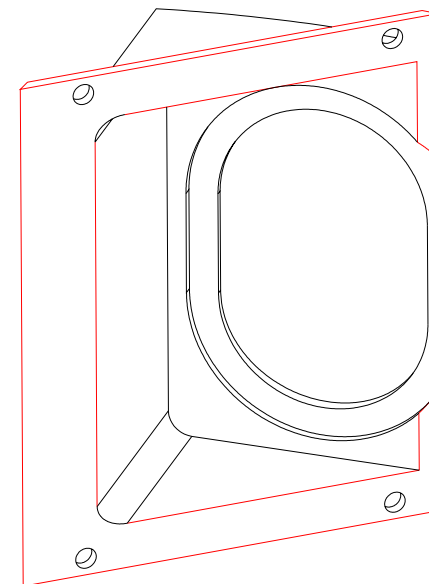
NOTES: UNLESS OTHERWISE NOTED

1. MACHINED SURFACE ROUGHNESS 64  
O-RING GROOVES AND SURFACES 32
2. REMOVE ALL BURRS/SHARP CORNERS

BILL OF MATERIAL				
NO.	REQ'D	REF DRW	DESCRIPTION	MATERIAL
N/A	1	SK8-012A	LXD1 FRONT BAFFLE	ALU 6061-T6



SECTION A-A: SCALE 2:1



ISOMETRIC:  
SCALE 1:1

REVDATE: N/A	REVISION: N/A
DATE: 09/01/99	<b>INSTITUTE FOR ASTRONOMY</b>
DESIGN: STAHLBERGER	2680 WOODLAWN DR. HONOLULU, HI 96822
DRAWN: STAHLBERGER	INSTRUMENT: SPEX - CROSS DISPERSED SPECTROGRAPH
APPR'D: J. RAYNER	PART NAME: LX D1 FRONT BAFFLE
<b>TOLERANCES</b>	
X.X	+/- .015
X.XX	+/- .005
X.XXX	+/- .002
ANGLE	+/- 30 min
FRACTION	+/- 1/32
DRW NO: SK8-012A	SCALE: 1:1
SIZE: A	JOS NO: 725
	SHEET: 2 OF 2

PLOT: 10/19/99

SK8-001B  
NEXT ASSY