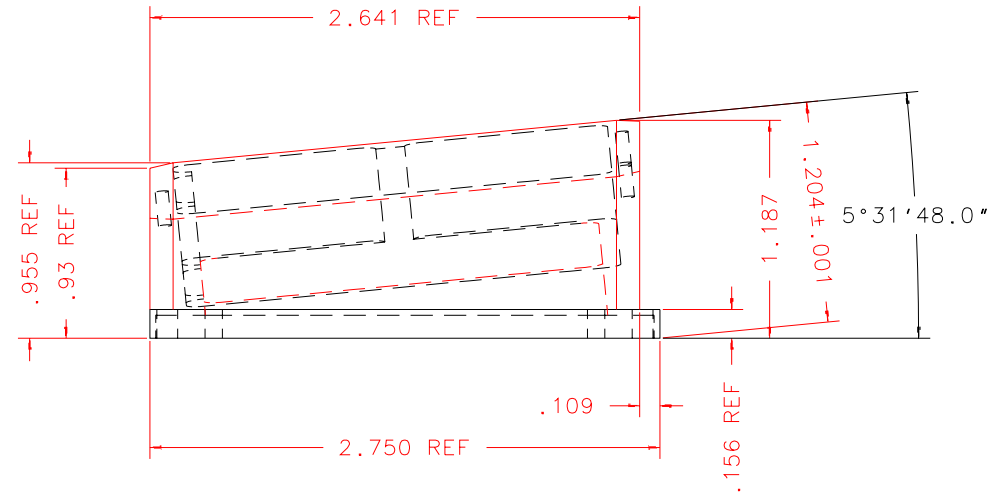
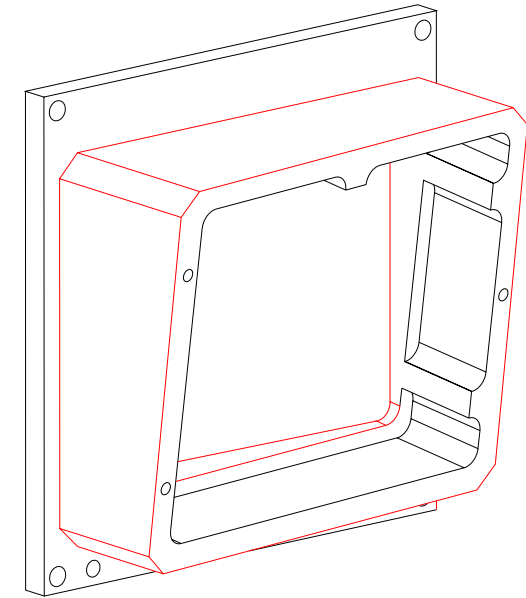


NOTES: UNLESS OTHERWISE NOTED
 1. MACHINED SURFACE ROUGHNESS 64
 O-RING GROOVES AND SURFACES 32
 2. REMOVE ALL BURRS/SHARP CORNERS

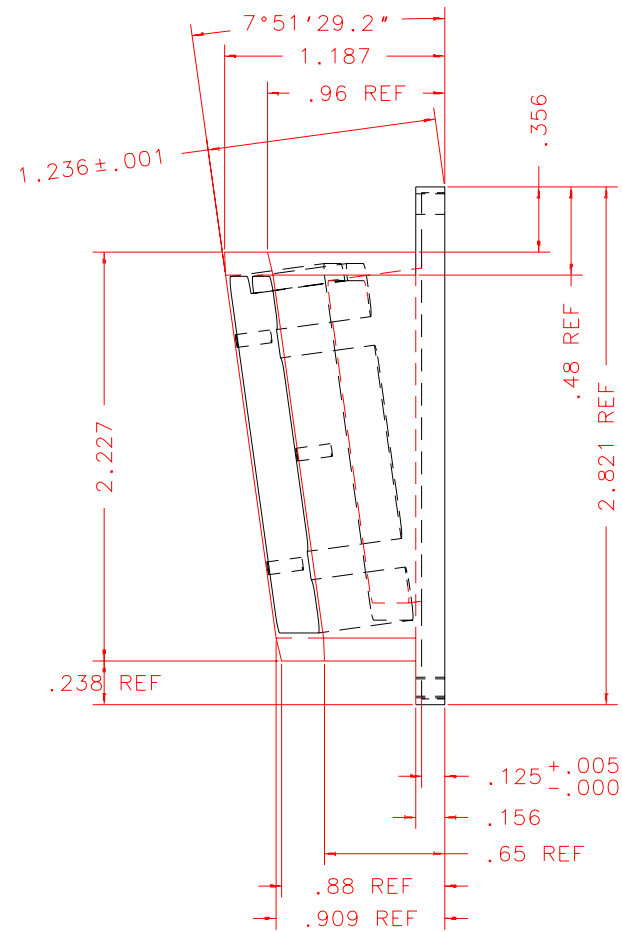
BILL OF MATERIAL				
NO.	REQ'D	REF DRW	DESCRIPTION	MATERIAL
N/A	1	SK8-013B	LXD1 GRATING MOUNT	ALU 6061-T6



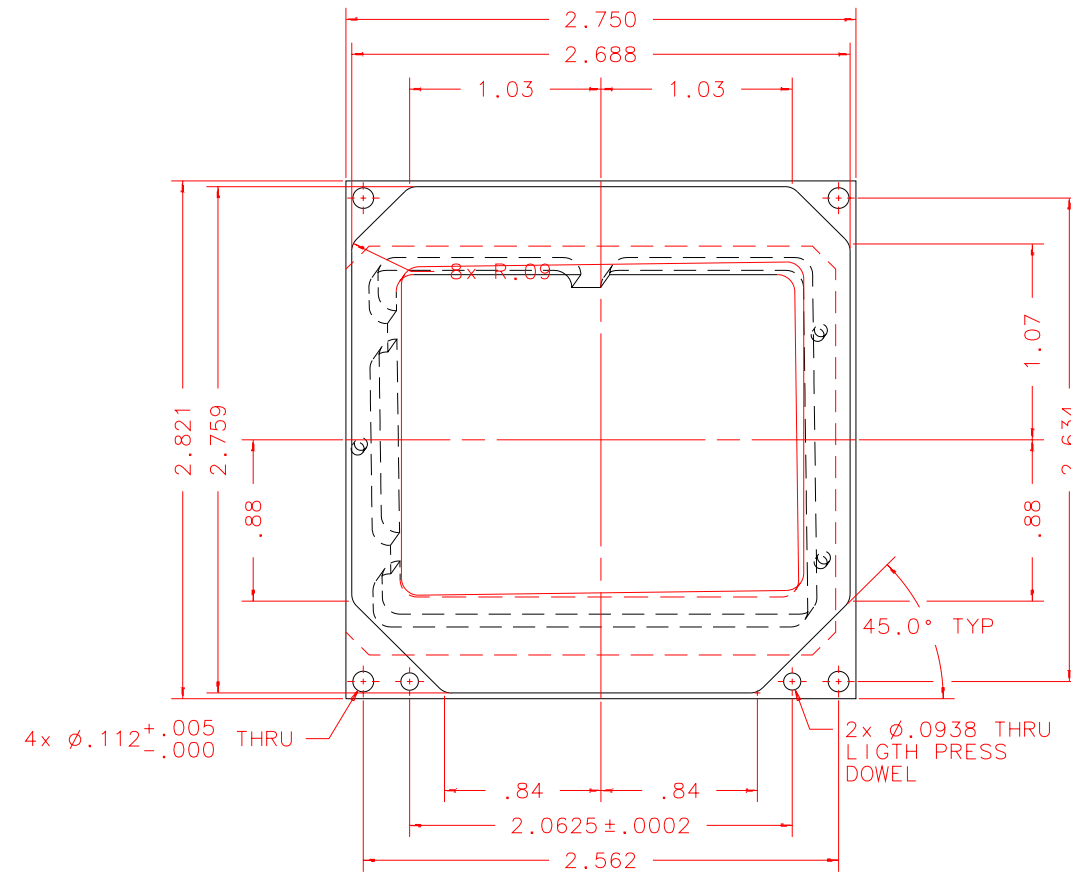
TOP



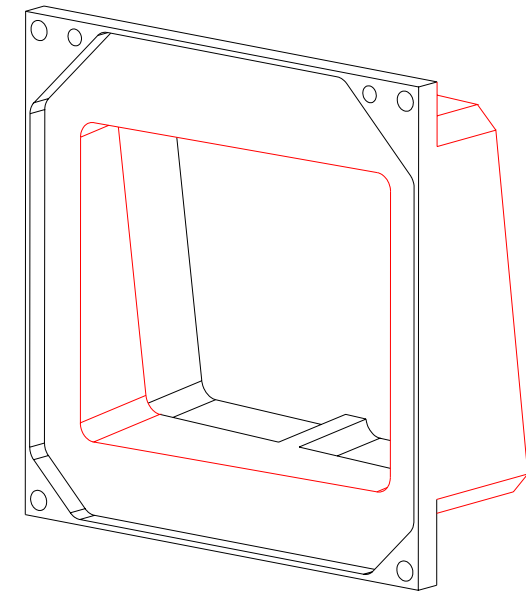
ISOVIEW 4



LEFT



FRONT



ISOVIEW 5

REVDATE: 09/23/99	REVISION: REDESIGN PART
DATE: 09/02/99	REVISION: N/A
DESIGN: STAHLBERGER	INSTITUTE FOR ASTRONOMY
DRAWN: STAHLBERGER	2680 WOODLAWN DR. HONOLULU, HI 96822
APPR'D: J. RAYNER	INSTRUMENT: SPEX - CROSS DISPERSED SPECTROGRAPH
TOLERANCES	PART NAME: LXD1 GRATING MOUNT
X.X +/- .015	TELESCOPE: IRTF
X.XX +/- .005	
X.XXX +/- .002	
ANGLE +/- 30 min	
FRACTION +/- 1/32	
SK8-001B	DRW NO: SK8-013B
NEXT ASSY	SCALE: 1:1
	SIZE: B
	JOS NO: 725
	SHEET: 1 OF 2