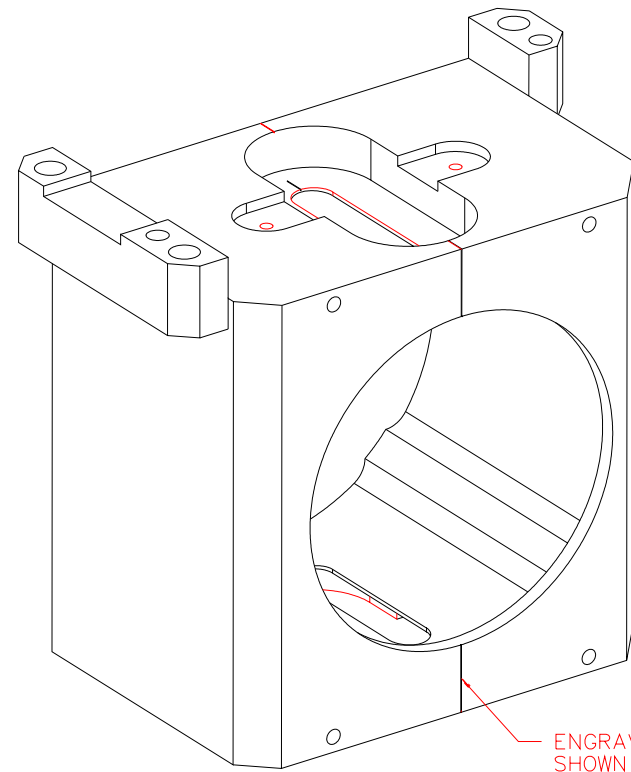


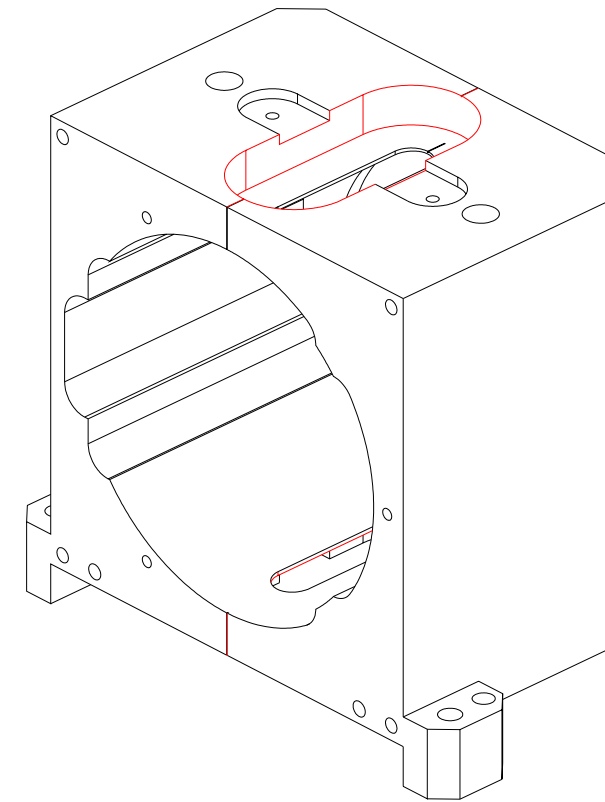
NOTES: UNLESS OTHERWISE NOTED  
 1. MACHINED SURFACE ROUGHNESS 64  
 O-RING GROOVES AND SURFACES 32  
 2. REMOVE ALL BURRS/SHARP CORNERS

BILL OF MATERIAL				
NO.	REQ'D	REF DRW	DESCRIPTION	MATERIAL
N/A	1	SK8-014B	LXD1 PRISM MOUNT	ALU 6061-T6



ENGRAVE AS SHOWN IN ISOMETRIC VIEWS:  
 WIDTH = .004  
 DEPTH = .005

ISOVIEW 6



ISOVIEW 5

PLOT: 10/19/99

REVDATE: N/A	REVISION: N/A
DATE: 09/03/99	<b>INSTITUTE FOR ASTRONOMY</b>
DESIGN: STAHLBERGER	2680 WOODLAWN DR. HONOLULU, HI 96822
DRAWN: STAHLBERGER	INSTRUMENT: SPEX - CROSS DISPERSED SPECTROGRAPH
APPR'D: J. RAYNER	PART NAME: LX1 PRISM MOUNT
<b>TOLERANCES</b>	
X.X	+/- .015
X.XX	+/- .005
X.XXX	+/- .002
ANGLE	+/- 30 min
FRACTION	+/- 1/32
SK8-001B	DRW NO: SK8-014B
NEXT ASSY	SCALE: 1:1
	SIZE: B
	JOS NO: 725
	SHEET: 3 OF 3