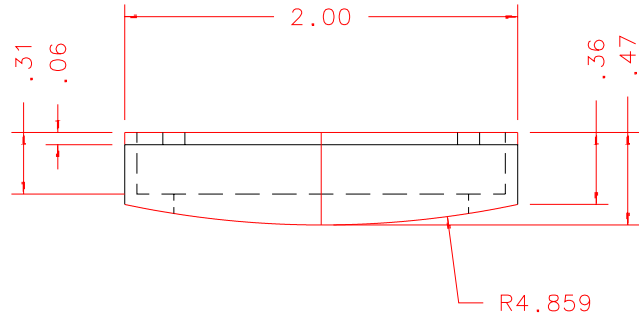
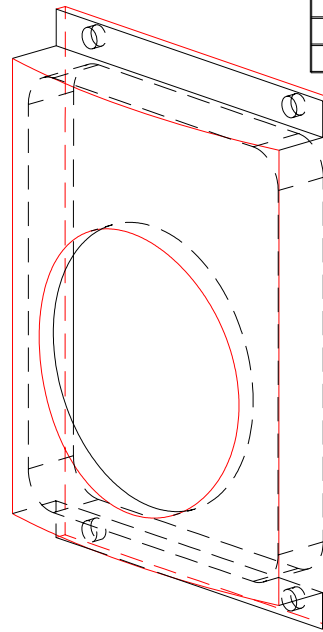


NOTES: UNLESS OTHERWISE NOTED

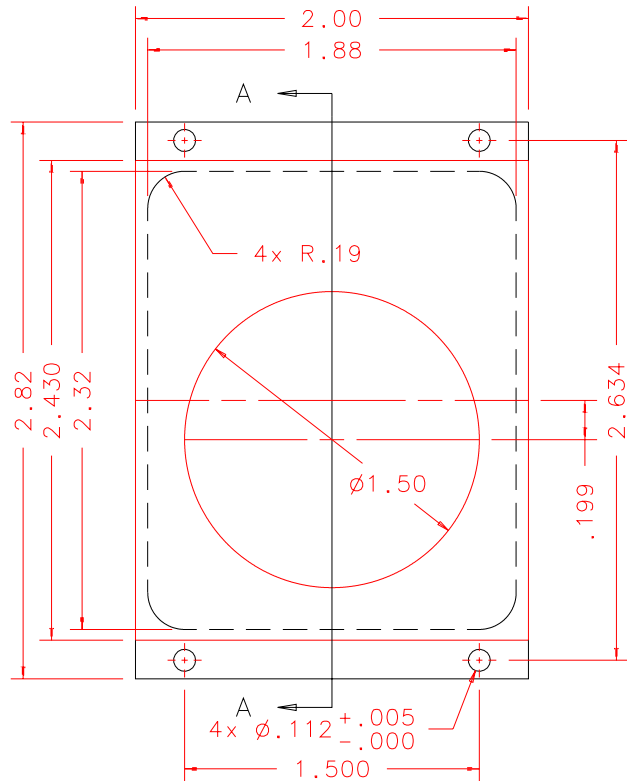
1. MACHINED SURFACE ROUGHNESS 64
O-RING GROOVES AND SURFACES 32
2. REMOVE ALL BURRS/SHARP CORNERS



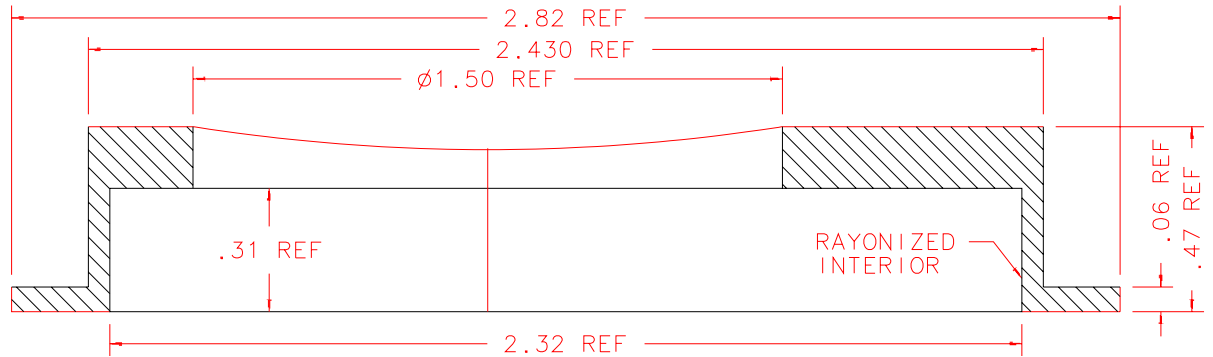
TOP: SCALE 1:1



ISOVIEW4: FULL SCALE



FRONT: SCALE 1:1



SECTION A-A: SCALE 2:1

BILL OF MATERIAL				
NO.	REQ'D	REF DRW	DESCRIPTION	MATERIAL
N/A	1	SK9-011A	SLS1 FRONT BAFFLE	ALU 6061-T6

PLOT: 10/19/99

SK10-001B
NEXT ASSY

REVDATE: N/A	REVISION: N/A
DATE: 08/12/99	INSTITUTE FOR ASTRONOMY
DESIGN: STAHLBERGER	2680 WOODLAWN DR. HONOLULU, HI 96822
DRAWN: STAHLBERGER	INSTRUMENT: SPEX - CROSS DISPERSED SPECTROGRAPH
APPR'D: J. RAYNER	PART NAME: SLS1 FRONT BAFFLE
TOLERANCES	TELESCOPE: IRTF
X.X +/- .015	
X.XX +/- .005	
X.XXX +/- .002	
ANGLE +/- 30 min	
FRACTION +/- 1/32	
DRW NO: SK9-011A	SCALE: NOTED
SIZE: A	JOS NO: 725
	SHEET: 1 OF 1