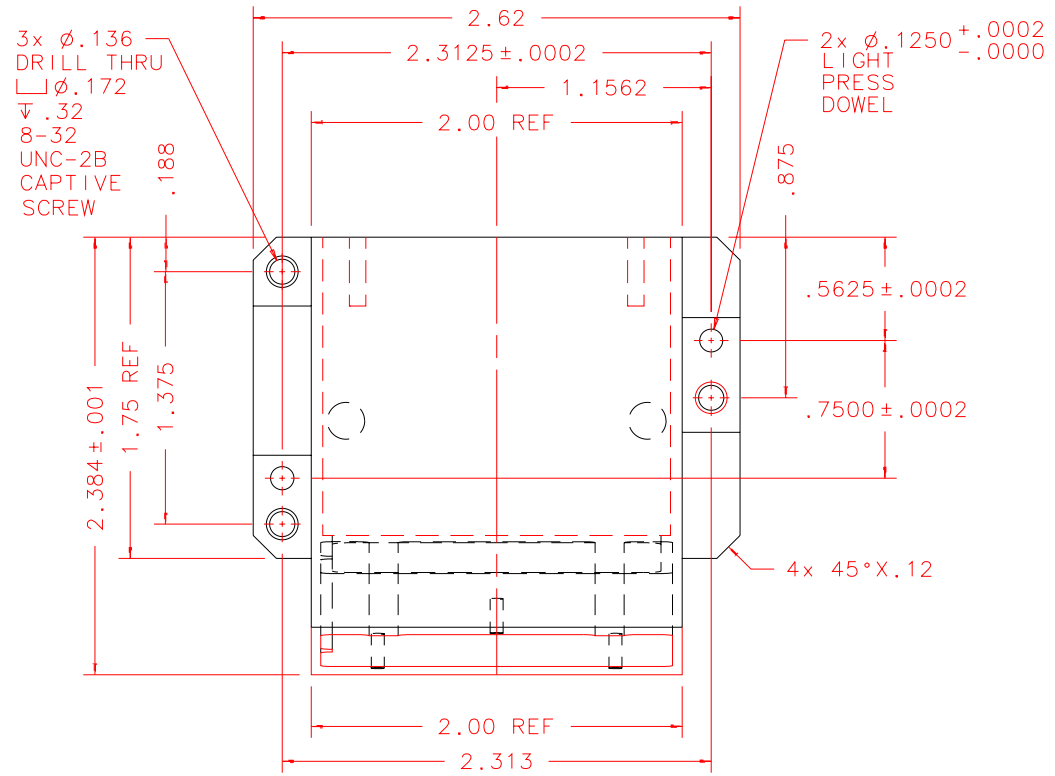
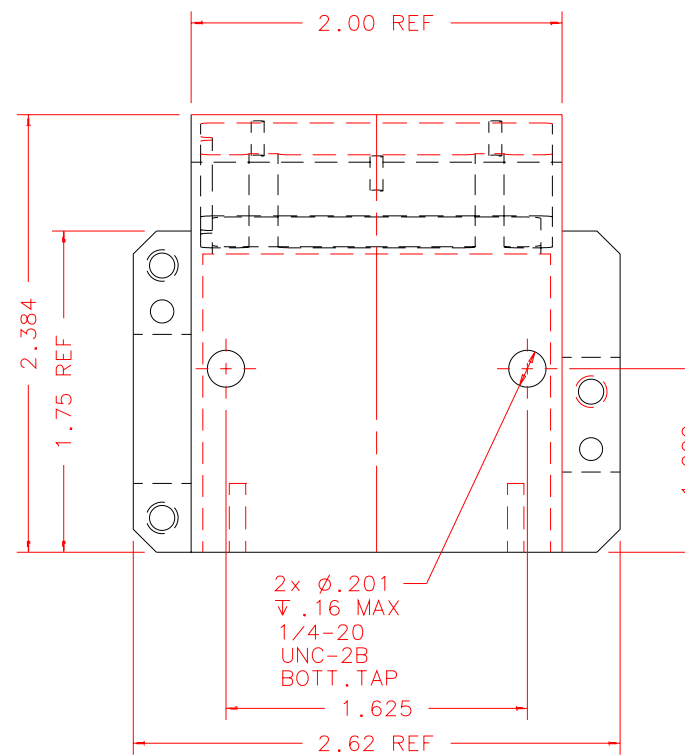


NOTES: UNLESS OTHERWISE NOTED
 1. MACHINED SURFACE ROUGHNESS 64
 O-RING GROOVES AND SURFACES 32
 2. REMOVE ALL BURRS/SHARP CORNERS

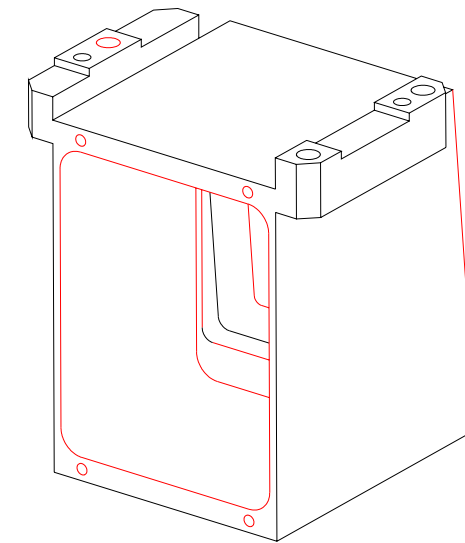
BILL OF MATERIAL				
NO.	REQ'D	REF DRW	DESCRIPTION	MATERIAL
N/A	1	SK9-013B	SLS1 GRATING MOUNT	ALU 6061-T6



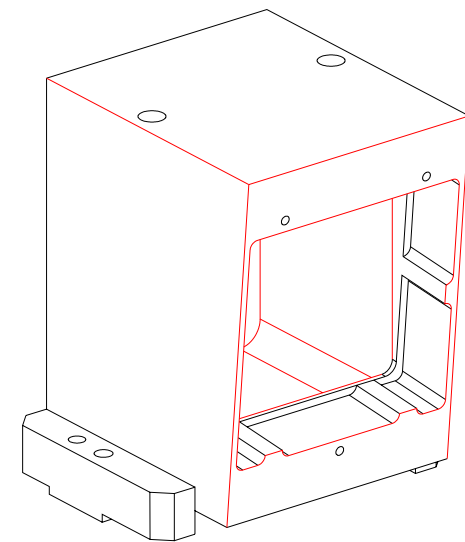
BOTTOM



TOP



ISOVIEW 8



ISOVIEW 7

PLOT: 10/19/99

SK9-001B	NEXT ASSY
----------	-----------

REVDATE: N/A	REVISION: N/A	INSTITUTE FOR ASTRONOMY	
DATE: 08/23/99		2680 WOODLAWN DR. HONOLULU, HI 96822	
DESIGN: STAHLBERGER		INSTRUMENT: SPEX - CROSS DISPERSED SPECTROGRAPH	
DRAWN: STAHLBERGER		PART NAME: SLS1 GRATING MOUNT	
APPR'D: J. RAYNER		TELESCOPE: IRTF	
TOLERANCES		DRW NO: SK9-013B	SCALE: 1:1
X.X	+/- .015	SIZE: B	JOS NO: 725
X.XX	+/- .005	SHEET: 2 OF 3	
X.XXX	+/- .002		
ANGLE	+/- 30 min		
FRACTION	+/- 1/32		