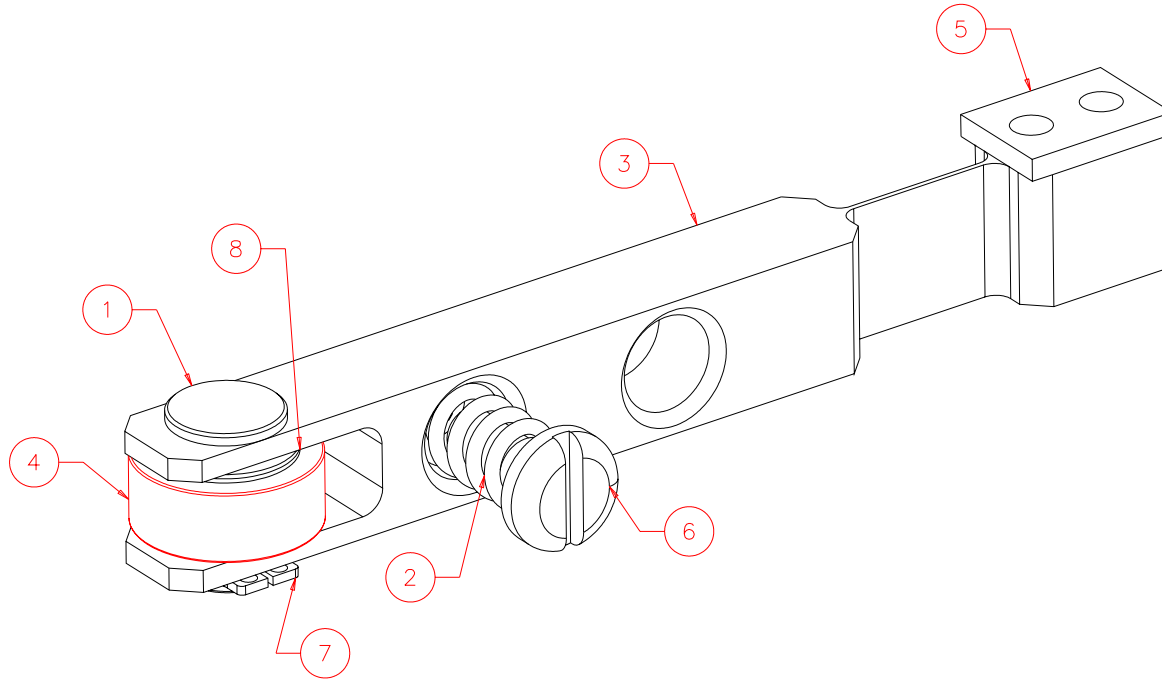


NOTES: UNLESS OTHERWISE NOTED

1. MACHINED SURFACE ROUGHNESS 64  
O-RING GROOVES AND SURFACES 32
2. REMOVE ALL BURRS/SHARP CORNERS

BILL OF MATERIAL

NO.	REQ'D	REF DRW	DESCRIPTION	MATERIAL
N/A	1	SG1-001A	DETENT	N/A
1	1	SP3-011A	BEARING PIN	STAINLESS 303
2	1	N/A	COMPR.SPRING MC040G09-B	STAINLESS
3	1	SG1-011A	DETENT ARM OS2	TITAN, 6AL-4V
4	1	SP3-017A	DETENT ROLLER	STAINLESS
5	1	SG1-012A	DETENT SPACER	ALU 6061-T6
6	1	SP3-018A	PAN HEAD SCREW CUSTOM	STAINLESS
7	1	N/A	RETAINER RING Q2-25(BERG)	STAINLESS
8	4	N/A	SHAFT SPACER SS2-61(BERG)	STAINLESS



ISOMETRIC

REVDATE: N/A	REVISION: N/A
DATE: 01/29/99	<b>INSTITUTE FOR ASTRONOMY</b> 2680 WOODLAWN DR. HONOLULU, HI 96822
DESIGN: STAHLBERGER	
DRAWN: STAHLBERGER	INSTRUMENT: SPEX - CROSS DISPERSED SPECTROGRAPH
APPR'D: J. RAYNER	PART NAME: DETENT
<b>TOLERANCES</b>	
X.X	+/- .015
X.XX	+/- .005
X.XXX	+/- .002
ANGLE	+/- 30 min
FRACTION	+/- 1/32
DRW NO: SG1-001A	SCALE: 2:1
SIZE: A	JOS NO: 725
SHEET: 1 OF 1	

PLOT:10/19/99

SG0-001B
NEXT ASSY