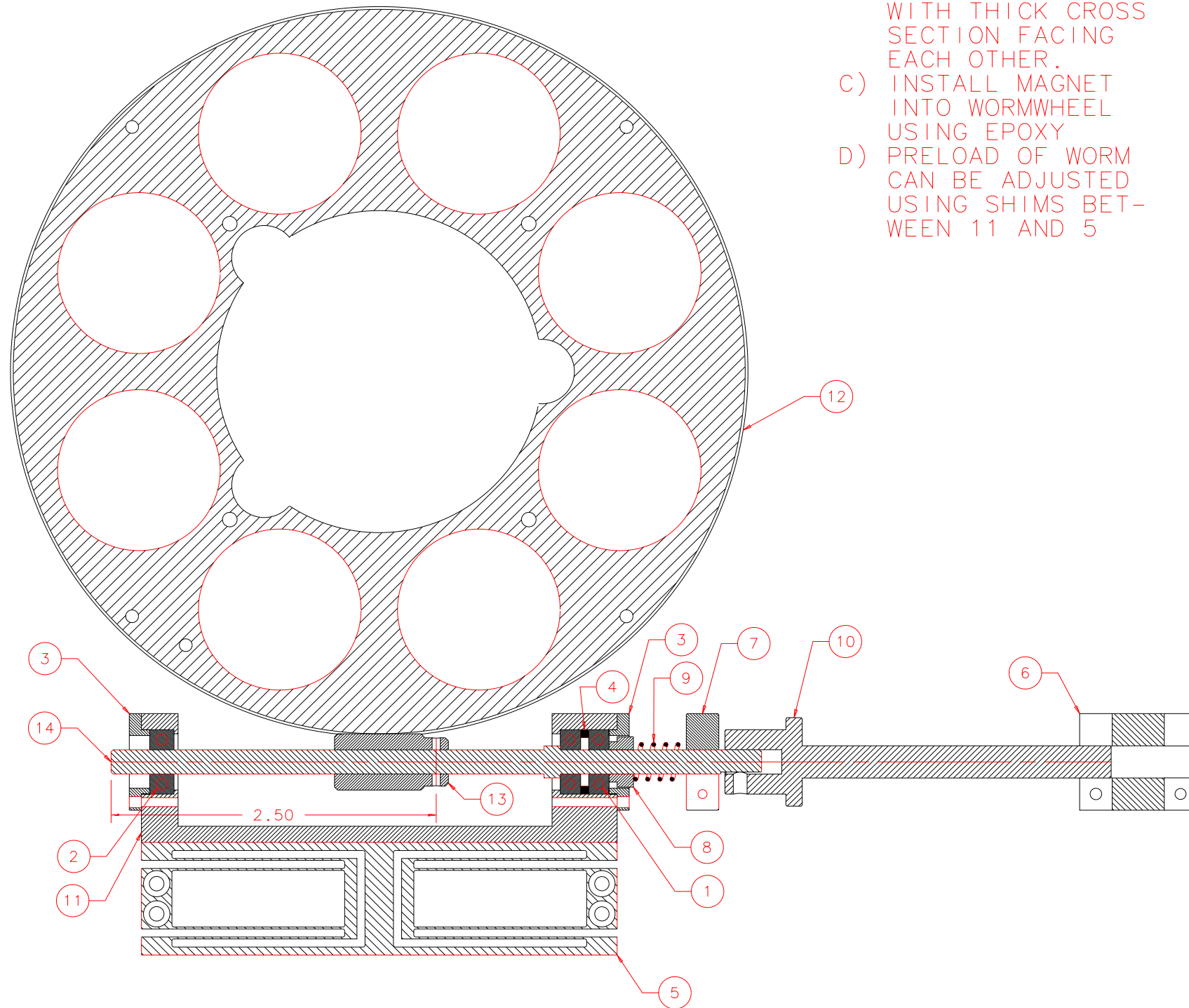


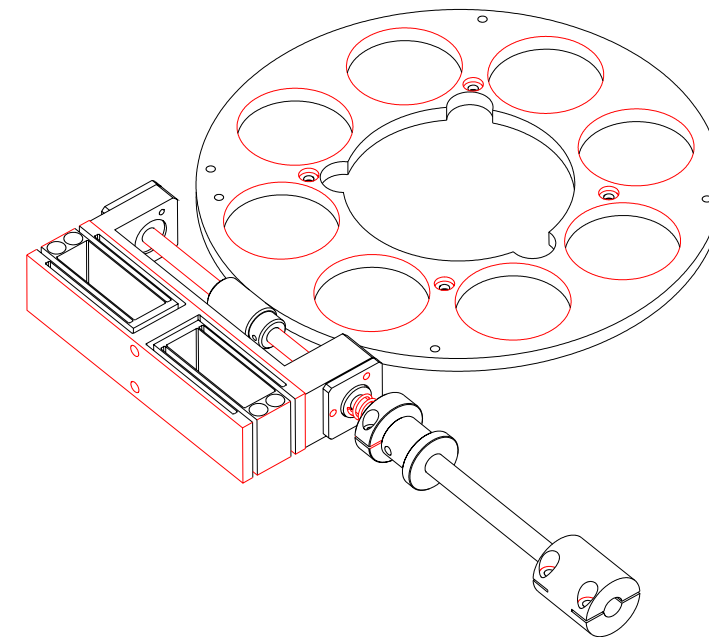
NOTES: UNLESS OTHERWISE NOTED
 1. MACHINED SURFACE ROUGHNESS 64
 O-RING GROOVES AND SURFACES 32
 2. REMOVE ALL BURRS/SHARP CORNERS

ASSEMBLY NOTES:
 A) PIN WORM TO WORMSHAFT USING 1/16 SOLID DOWEL.
 B) INSTALL ANGULAR CONTACT BEARING WITH THICK CROSS SECTION FACING EACH OTHER.
 C) INSTALL MAGNET INTO WORMWHEEL USING EPOXY
 D) PRELOAD OF WORM CAN BE ADJUSTED USING SHIMS BETWEEN 11 AND 5

BILL OF MATERIAL				
NO.	REQ'D	REF DRW	DESCRIPTION	MATERIAL
N/A	1	SG10-001B	K-MIRROR DRIVE	N/A
1	2	N/A	ANG. CONTACT BEARING B14-2(BERG)	STAINLESS
2	1	N/A	BALL BEARING B1-26(BERG)	STAINLESS
3	2	SK3-011A	BEARING RETAINER	ALU 6061-T6
4	1	N/A	BEARING SPACER SS3-15(BERG)	STAINLESS
5	1	SG10-011B	EDM FLEX STAGE	ALU 7075-T6
6	1	N/A	HELICAL COUPLING ACR075-8-8	ALU
7	1	SK3-015A	PRELOAD CLAMP	ALU 6061-T6
8	1	SK3-016A	PRELOAD DISK	ALU 6061-T6
9	1	N/A	PRELOAD SPRING MC045H05-A(M&R)	STAINLESS
10	1	SG10-013A	SHAFT EXTENSION K-MIRROR	STAINLESS 303
11	1	SK3-017A	WORM BRACKET	ALU 6061-T6
12	1	SG10-014B	WORM GEAR MOD W32B29-S180	BRONZE
13	1	SK3-020A	WORM MOD W32S-3S	VESPEL SP-3
14	1	SG10-016A	WORM SHAFT	STAINLESS 303



SECTION A-A: SCALE 1:1



ISOVIEW 4: SCALE 1:2

PLOT: 10/19/99

REVD: N/A	REVISION: N/A
DATE: 05/20/98	INSTITUTE FOR ASTRONOMY
DESIGN: STAHLBERGER	2680 WOODLAWN DR. HONOLULU, HI 96822
DRAWN: STAHLBERGER	INSTRUMENT: SPEX - CROSS DISPERSED SPECTROGRAPH
APPR'D: J. RAYNER	PART NAME: K-MIRROR DRIVE
TOLERANCES	
X.X	+/- .015
X.XX	+/- .005
X.XXX	+/- .002
ANGLE	+/- 30 min
FRACTION	+/- 1/32
SG0-001B	DRW NO: SG10-001B
NEXT ASSY	SCALE: NOTED
	SIZE: B
	JOS NO: 725
	SHEET: 1 OF 1