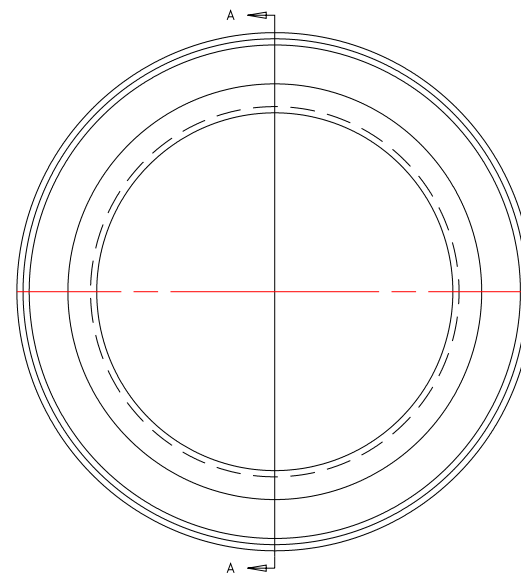
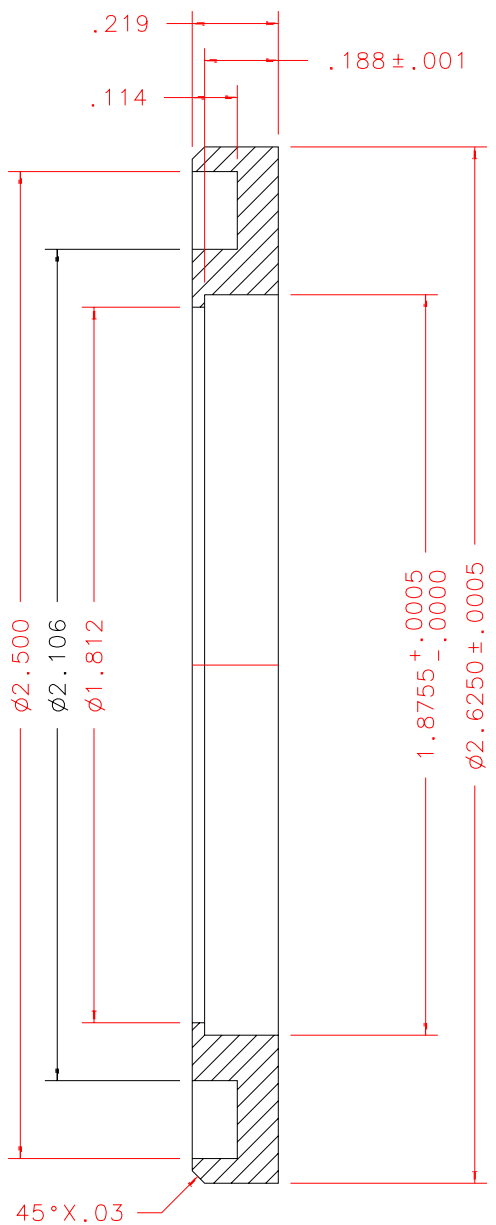


NOTES: UNLESS OTHERWISE NOTED

1. MACHINED SURFACE ROUGHNESS 64
- 0-RING GROOVES AND SURFACES 32
2. REMOVE ALL BURRS/SHARP CORNERS

ALL DIAMETERS X.XXXX
CONCENTRIC TO .0002
TIR

BILL OF MATERIAL				
NO.	REQ'D	REF DRW	DESCRIPTION	MATERIAL
N/A	1	SG11-016A	HOOP RING1	STAINLESS 303



FRONT: SCALE 1:1

SECTION A-A: SCALE 2:1

PLOT: 10/19/99

REVDATE: 01/26/99	REVISION: DIM 2.106 WAS 2.13
REVDATE: N/A	REVISION: N/A
DATE: 05/21/98	INSTITUTE FOR ASTRONOMY
DESIGN: STAHLBERGER	2680 WOODLAWN DR. HONOLULU, HI 96822
DRAWN: STAHLBERGER	INSTRUMENT: SPEX - CROSS DISPERSED SPECTROGRAPH
APPR'D: J. RAYNER	PART NAME: HOOP RING1
TOLERANCES	
X.X	+/- .015
X.XX	+/- .005
X.XXX	+/- .002
ANGLE	+/- 30 min
FRACTION	+/- 1/32
TELESCOPE: IRTF	
SG11-001B	DRW NO: SG11-016A
NEXT ASSY	SCALE: 2:1
SIZE: A	JOS NO: 725
	SHEET: 1 OF 1