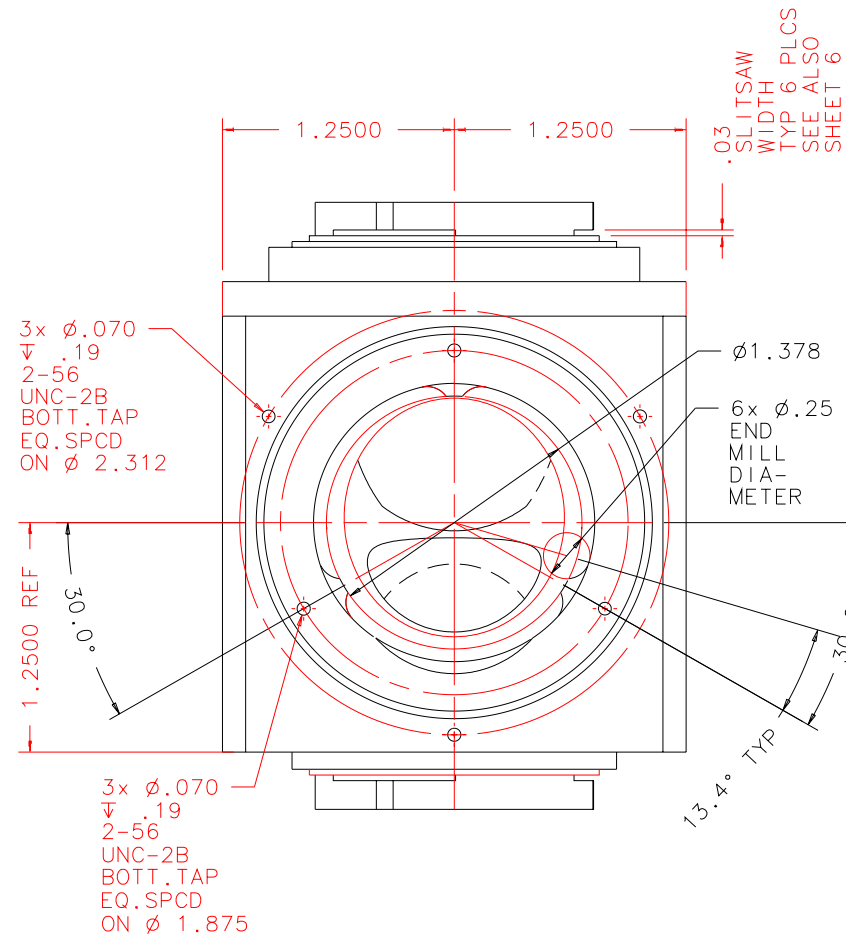


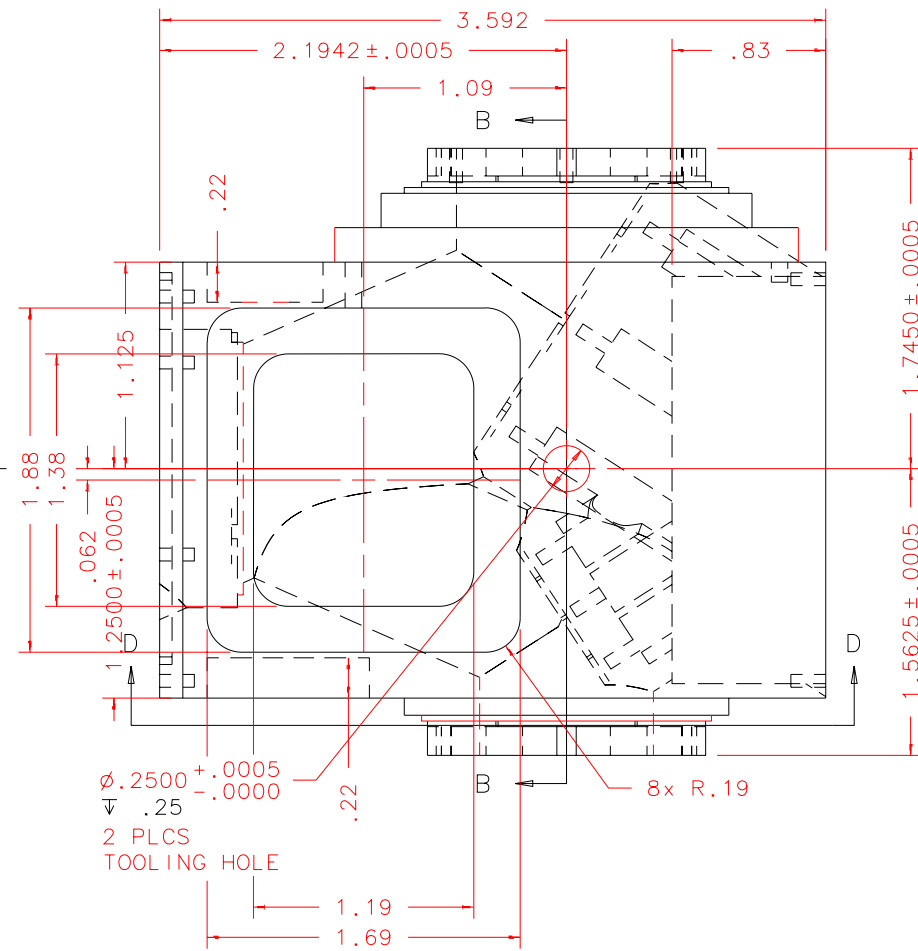
NOTES: UNLESS OTHERWISE NOTED
 1. MACHINED SURFACE ROUGHNESS 64
 O-RING GROOVES AND SURFACES 32
 2. REMOVE ALL BURRS/SHARP CORNERS

TOLERANCES: UNLESS MARKED OTHERWISE
 X.XXXX +/- .0005

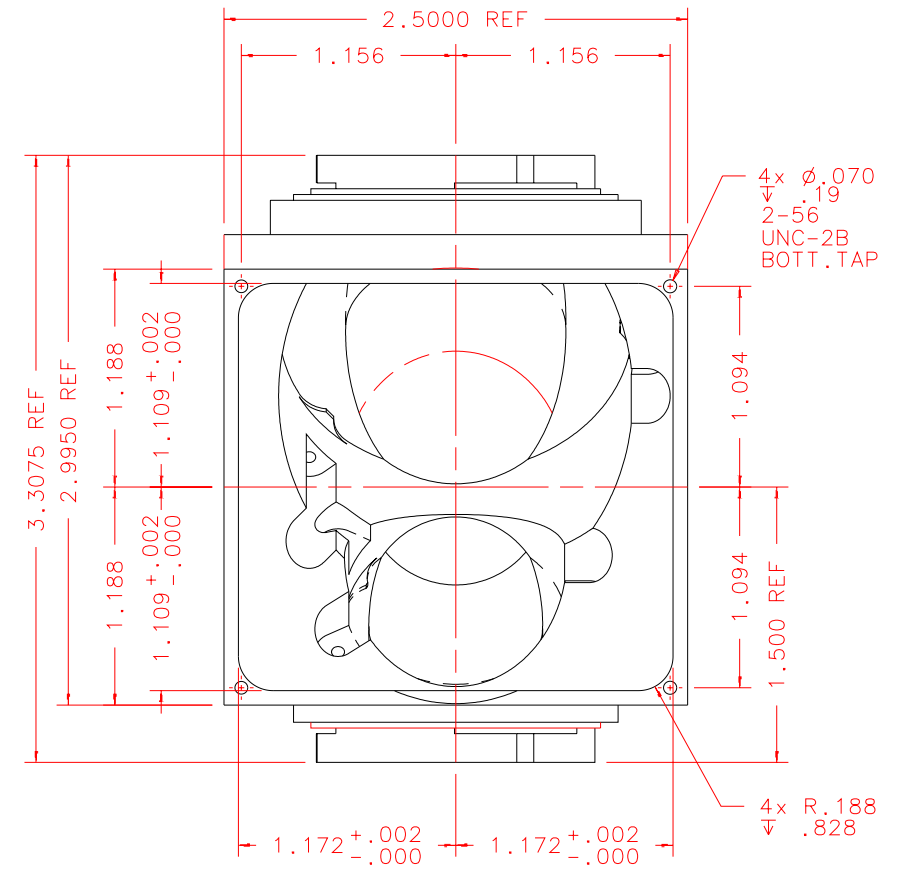
BILL OF MATERIAL				
NO.	REQ'D	REF DRW	DESCRIPTION	MATERIAL
N/A	1	SG11-018B	K-MIRROR SUPPORT	ALU 6061-T6



LEFT: SCALE 1:1



FRONT: SCALE 1:1



RIGHT: SCALE 1:1

REVDATE: 01/26/99	REVISION: ADD 1/8 CHAMFER SHEET2	
REVDATE: 12/02/98	REVISION: ADD WEIGHT RELIEF POCKETS	
REVDATE: 10/12/98	REVISION: ADD DIMS IN SHEET 1 LEFT VIEW	
REVDATE: N/A	REVISION: N/A	
DATE: 04/24/98	INSTITUTE FOR ASTRONOMY	
DESIGN: STAHLBERGER	2680 WOODLAWN DR. HONOLULU, HI 96822	
DRAWN: STAHLBERGER	INSTRUMENT: SPEX - CROSS DISPERSED SPECTROGRAPH	
APPR'D: J. RAYNER	PART NAME: K-MIRROR SUPPORT	
TOLERANCES	TELESCOPE: IRTF	
X.X +/- .015		
X.XX +/- .005		
X.XXX +/- .002		
ANGLE +/- 30 min		
FRACTION +/- 1/32		
SG11-001B	DRW NO: SG11-018B	SCALE: NOTED
NEXT ASSY	SIZE: B	JOS NO: 725
		SHEET: 1 OF 8