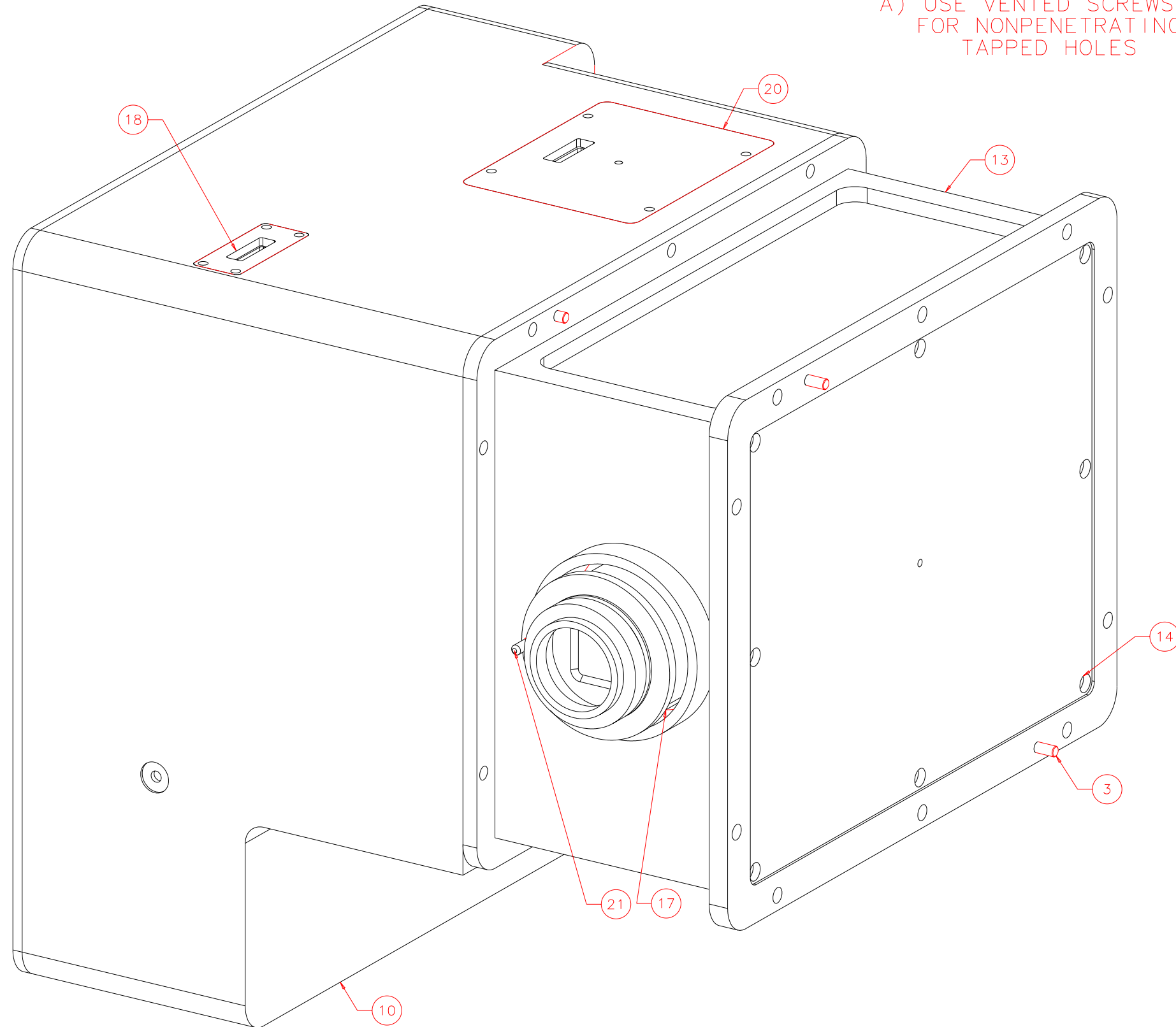


NOTES: UNLESS OTHERWISE NOTED  
 1. MACHINED SURFACE ROUGHNESS 64  
 O-RING GROOVES AND SURFACES 32  
 2. REMOVE ALL BURRS/SHARP CORNERS

NOTES:

A) USE VENTED SCREWS FOR NONPENETRATING TAPPED HOLES



ISOVIEW 1: SCALE ~3/4

BILL OF MATERIAL				
NO.	REQ'D	REF DRW	DESCRIPTION	MATERIAL
N/A	1	SG13-001B	OPTICS BENCH	N/A
1	1	SG13-026A	COLD STOP OS1	ALU 6061-T6
2	1	N/A	DOWEL PIN D14-4(BERG)	STAINLESS
3	6	N/A	DOWEL PIN D14-10(BERG)	STAINLESS
4	1	SG13-011B	FILTER ACCESS COVER1	ALU 6061-T6
5	1	SG13-012B	FILTER ACCESS COVER2	ALU 6061-T6
6	1	SG13-013B	FILTER ACCESS COVER3	ALU 6061-T6
7	1	SG13-014A	HALL ACCESS COVER OS1	ALU 6061-T6
8	1	SG13-026A	HALL SENSOR CARRIER SPACER	ALU 6061-T6
9	2	SJ4-017A	HALL SENSOR CARRIER	ALU 6061-T6
10	1	SG13-016B	OPTICS BENCH	ALU 6061-T6
11	1	SG13-017B	OPTICS BENCH COVER	ALU 6061-T6
12	1	SG13-018B	OPTICS BENCH FILTER COVER	ALU 6061-T6
13	1	SG13-019B	OPTICS BENCH SUPPORT	ALU 6061-T6
14	1	SG13-020B	OPTICS BENCH SUPPORT COVER	ALU 6061-T6
15	1	SG13-021A	PRE FLAT1 BAFFLE	ALU 6061-T6
16	1	SG13-022A	PRE FLAT1 BAFFLE TUBE	ALU 6061-T6
17	1	SG13-023A	RETRACTABLE BAFFLE	ALU 6061-T6
18	1	SE0-024A	SINGLE30 MOUNT	ALU 6061-T6
19	1	SG13-015A	HALL BRACKET	ALU 6061-T6
20	1	SG13-025A	WORM DRIVE ACCESS COVER	ALU 6061-T6
21	1	SG13-028A	RETRACTABLE BAFFLE PIN	STAINLESS 303

REVDATE: 02/08/99	REVISION: ADD RETRACTABLE BAFFLE PIN
REVDATE: 01/27/99	REVISION: REDESIGN HALL SENSOR MOUNTING
REVDATE: N/A	REVISION: N/A
DATE: 05/29/98	<b>INSTITUTE FOR ASTRONOMY</b>
DESIGN: STAHLBERGER	2680 WOODLAWN DR. HONOLULU, HI 96822
DRAWN: STAHLBERGER	INSTRUMENT: SPEX - CROSS DISPERSED SPECTROGRAPH
APPR'D: J. RAYNER	PART NAME: OPTICS BENCH
<b>TOLERANCES</b>	TELESCOPE: IRTF
X.X +/- .015	
X.XX +/- .005	
X.XXX +/- .002	
ANGLE +/- 30 min	
FRACTION +/- 1/32	
SG0-001B	DRW NO: SG13-001B
NEXT ASSY	SCALE: NOTED
	SIZE: B
	JOS NO: 725
	SHEET: 1 OF 2

PLOT: 10/19/99