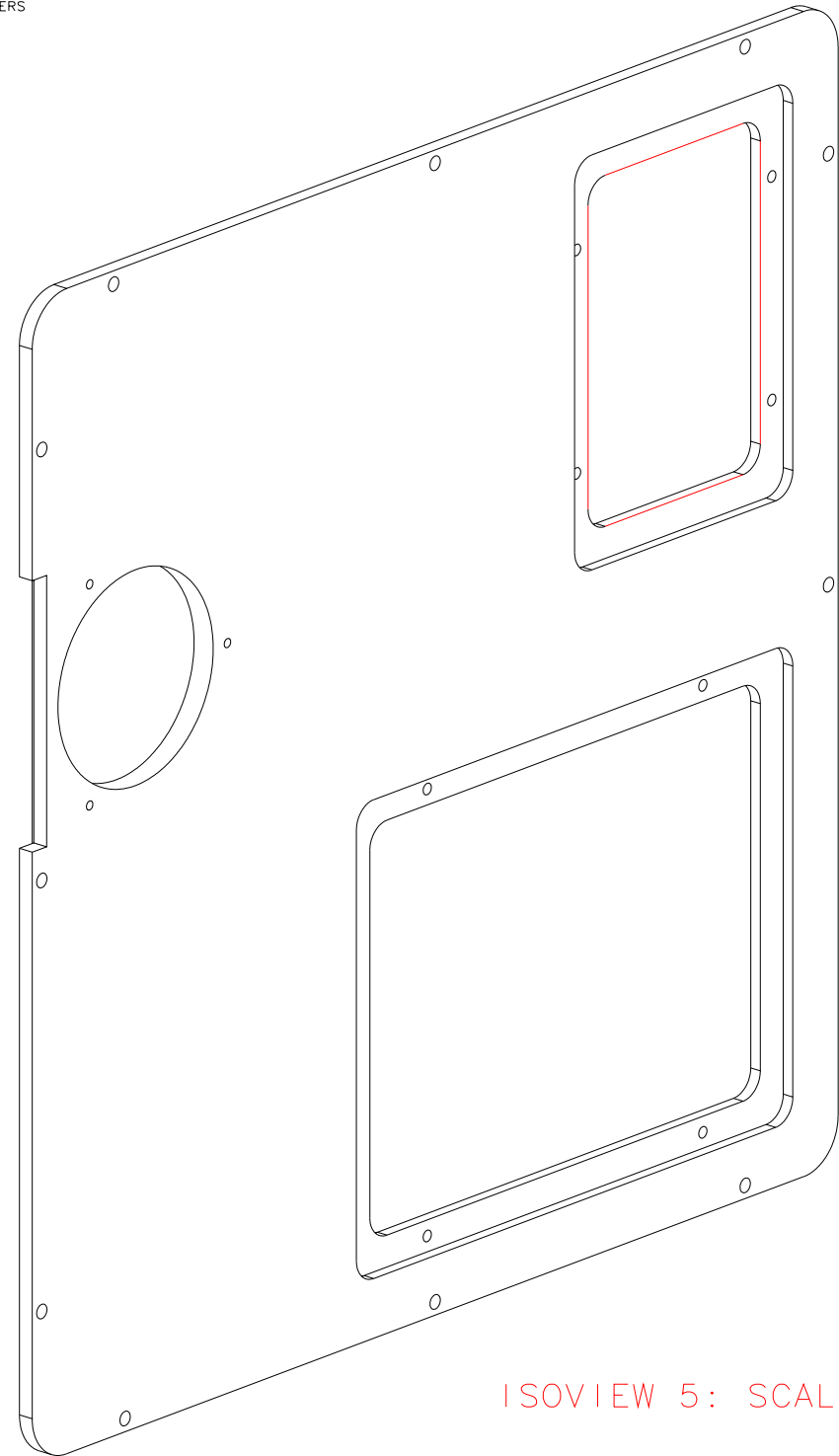
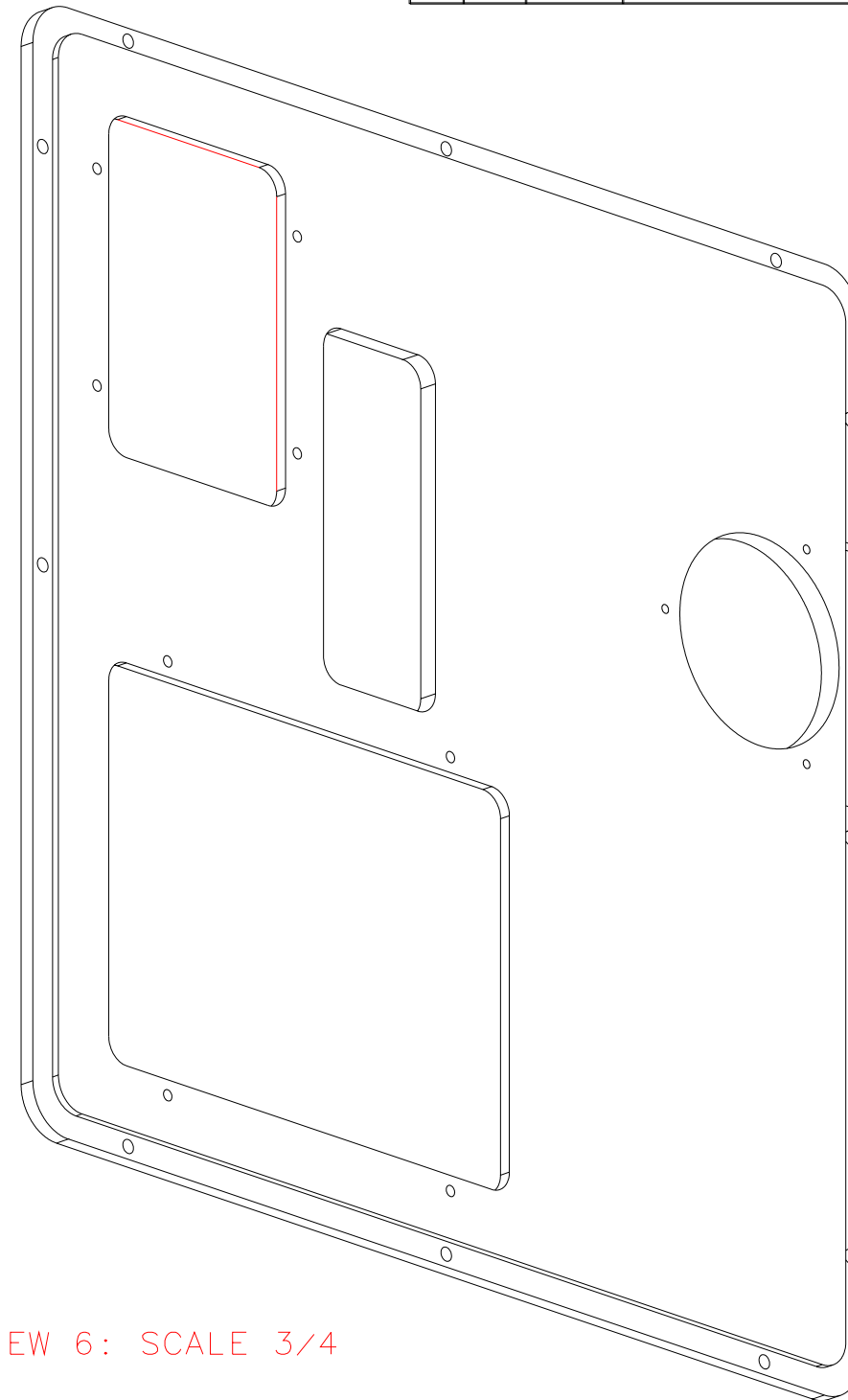


NOTES: UNLESS OTHERWISE NOTED  
 1. MACHINED SURFACE ROUGHNESS 64  
 O-RING GROOVES AND SURFACES 32  
 2. REMOVE ALL BURRS/SHARP CORNERS

BILL OF MATERIAL				
NO.	REQ'D	REF DRW	DESCRIPTION	MATERIAL
N/A	1	SG13-017B	OPTICS BENCH COVER	ALU 6061-T6



ISOVIEW 5: SCALE 3/4



ISOVIEW 6: SCALE 3/4

PLOT: 10/19/99

SG13-001B  
 NEXT ASSY

REVDATE: N/A	REVISION: N/A
DATE: 05/08/98	<b>INSTITUTE FOR ASTRONOMY</b>
DESIGN: STAHLBERGER	2680 WOODLAWN DR. HONOLULU, HI 96822
DRAWN: STAHLBERGER	INSTRUMENT: SPEX - CROSS DISPERSED SPECTROGRAPH
APPR'D: J. RAYNER	PART NAME: OPTICS BENCH COVER
<b>TOLERANCES</b>	TELESCOPE: IRTF
X.X +/- .015	DRW NO: SG13-017B
X.XX +/- .005	SCALE: NOTED
X.XXX +/- .002	SIZE: B
ANGLE +/- 30 min	JOS NO: 725
FRACTION +/- 1/32	SHEET: 3 OF 3