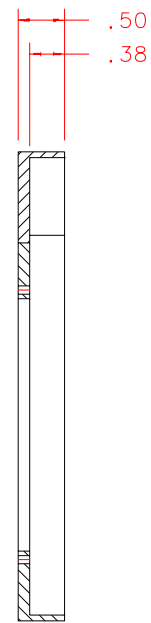


NOTES: UNLESS OTHERWISE NOTED
 1. MACHINED SURFACE ROUGHNESS 64
 O-RING GROOVES AND SURFACES 32
 2. REMOVE ALL BURRS/SHARP CORNERS

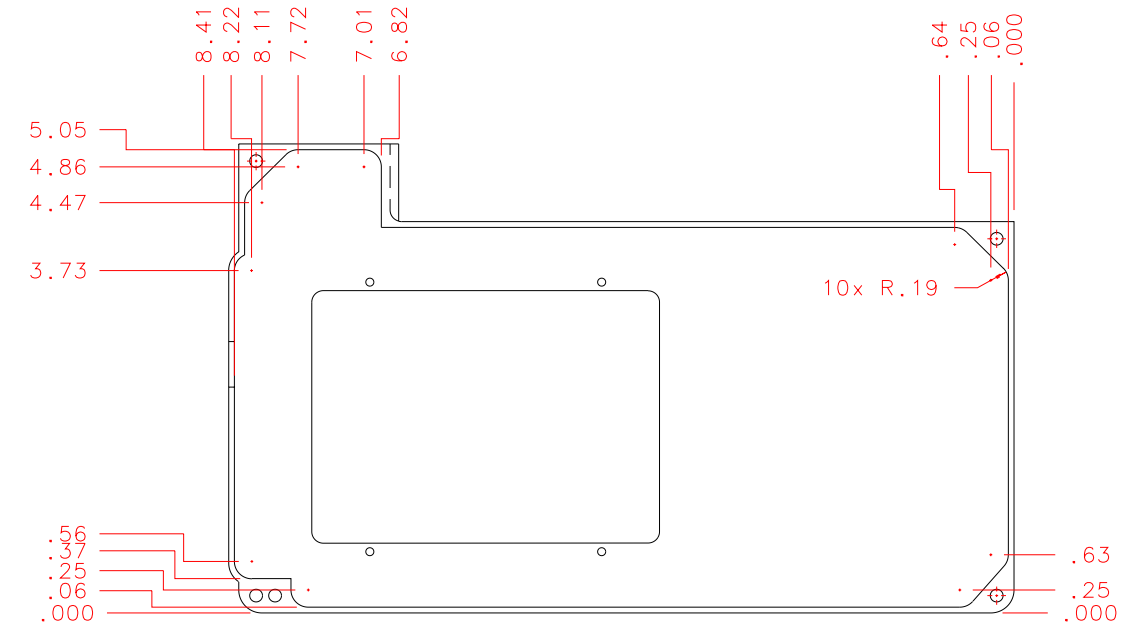
BILL OF MATERIAL				
NO.	REQ'D	REF DRW	DESCRIPTION	MATERIAL
N/A	1	SG13-018B	OPTICS BENCH FILTER COVER	ALU 6061-T6



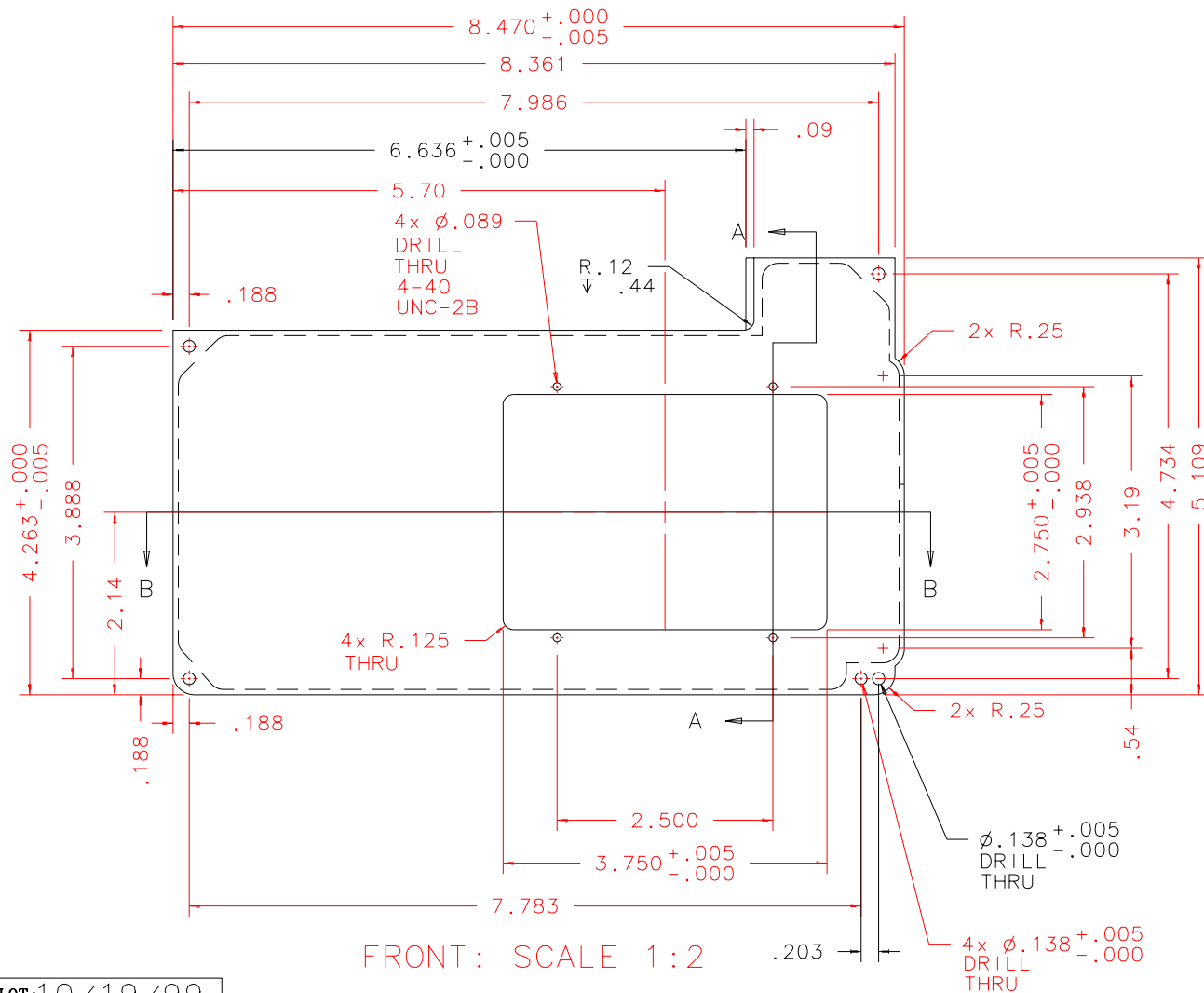
SECTION B-B: SCALE 1:2



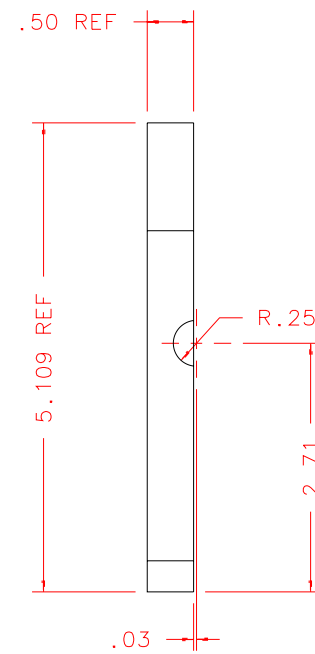
SECTION A-A
SCALE 1:2



BACK: SCALE 1:2
FOR MORE DIMS
SEE SHEET 3



FRONT: SCALE 1:2



RIGHT:
SCALE 1:2

REVDATE: 02/06/99	REVISION: DIM 6.636 WAS 6.604 FRONT VIEW
REVDATE: 02/06/99	REVISION: ADD CUT OUT, RIGHT VW, SHEET1
REVDATE: 01/11/99	REVISION: ADD CUTOUT FRONT +1 HOLE
REVDATE: 09/14/98	REVISION: ADD SHEET 3 (MORE DIMS)
REVDATE: N/A	REVISION: N/A
DATE: 05/08/98	INSTITUTE FOR ASTRONOMY
DESIGN: STAHLBERGER	2680 WOODLAWN DR. HONOLULU, HI 96822
DRAWN: STAHLBERGER	INSTRUMENT: SPEX - CROSS DISPERSED SPECTROGRAPH
APPR'D: J. RAYNER	PART NAME: OPTICS BENCH FILTER COVER
	TELESCOPE: IRTF
TOLERANCES	
X.X	+/- .015
X.XX	+/- .005
X.XXX	+/- .002
ANGLE	+/- 30 min
FRACTION	+/- 1/32
SG13-001B	DRW NO: SG13-018B
NEXT ASSY	SCALE: 1:2
	SIZE: B
	JOS NO: 725
	SHEET: 1 OF 3