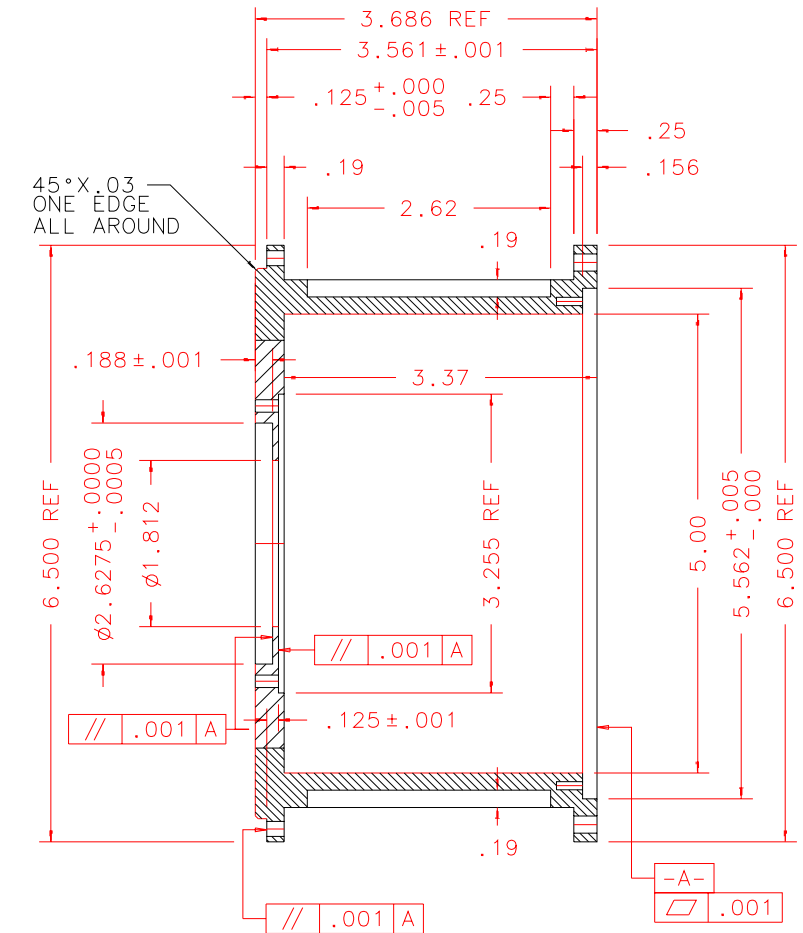
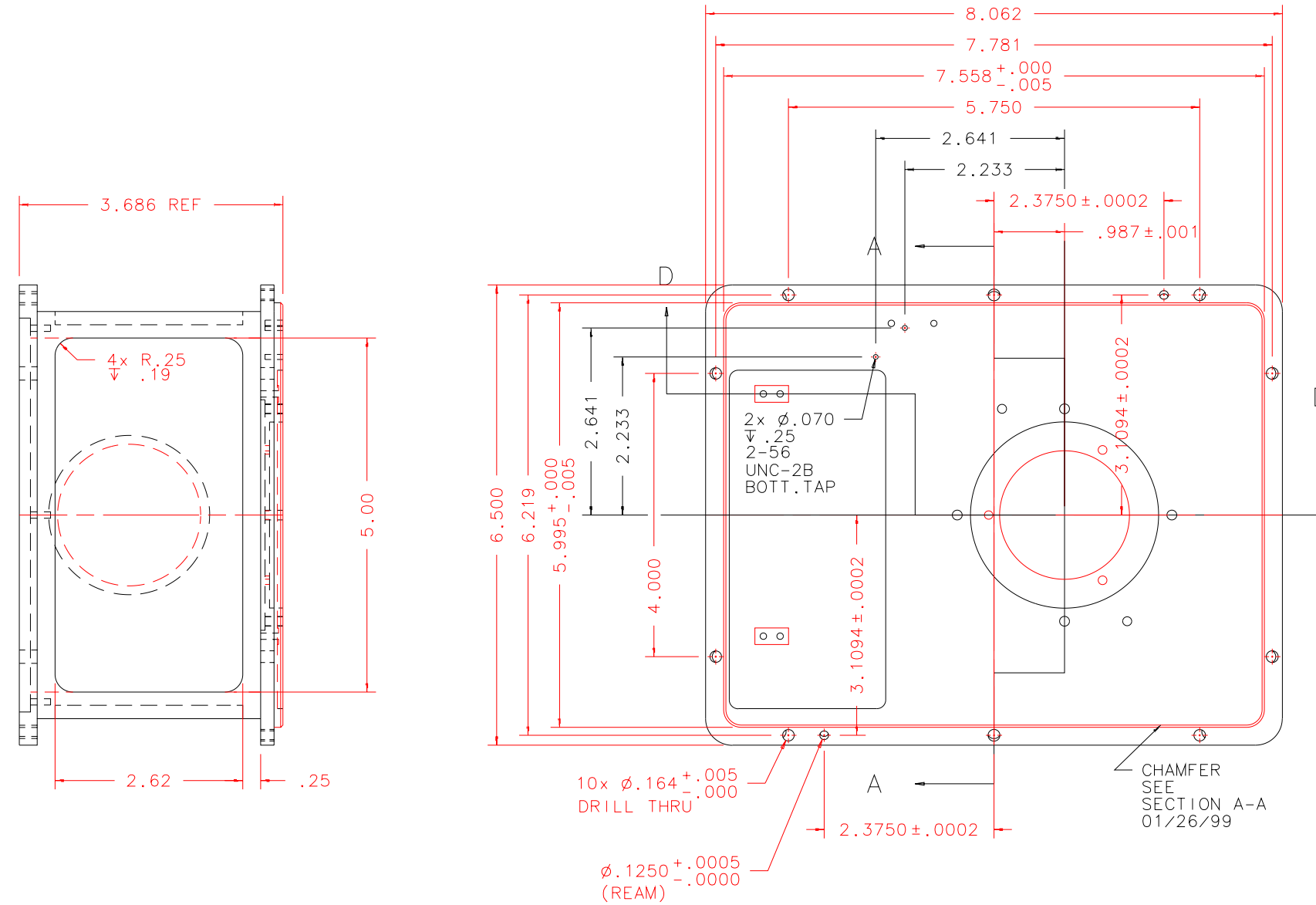


NOTES: UNLESS OTHERWISE NOTED  
 1. MACHINED SURFACE ROUGHNESS 64  
 O-RING GROOVES AND SURFACES 32  
 2. REMOVE ALL BURRS/SHARP CORNERS

BILL OF MATERIAL				
NO.	REQ'D	REF DRW	DESCRIPTION	MATERIAL
N/A	1	SG13-019B	OPTICS BENCH SUPPORT	ALU 6061-T6



LEFT: SCALE 1:2

FRONT: SCALE 1:2  
 SEE ALSO SHEET 6  
 FOR FULL SCALE  
 DUPLICATE VIEW

SECTION A-A: SCALE 1:2

PLOT: 10/19/99

SG13-001B	
NEXT ASSY	

REVDATE: 01/26/99	REVISION: ADD 2x 2-56 HLS & CHAMFER SHEET1
REVDATE: 09/14/98	REVISION: ADD 4X R.125 SHEET4
REVDATE: N/A	REVISION: N/A
DATE: 05/07/98	<b>INSTITUTE FOR ASTRONOMY</b>
DESIGN: STAHLBERGER	2680 WOODLAWN DR. HONOLULU, HI 96822
DRAWN: STAHLBERGER	INSTRUMENT: SPEX - CROSS DISPERSED SPECTROGRAPH
APPR'D: J. RAYNER	PART NAME: OPTICS BENCH SUPPORT
<b>TOLERANCES</b>	TELESCOPE: IRTF
X.X +/- .015	
X.XX +/- .005	
X.XXX +/- .002	
ANGLE +/- 30 min	
FRACTION +/- 1/32	
DRW NO: SG13-019B	SCALE: NOTED
SIZE: B	JOS NO: 725
	SHEET: 1 OF 6