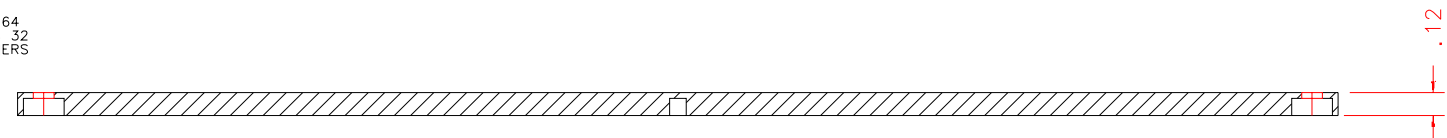
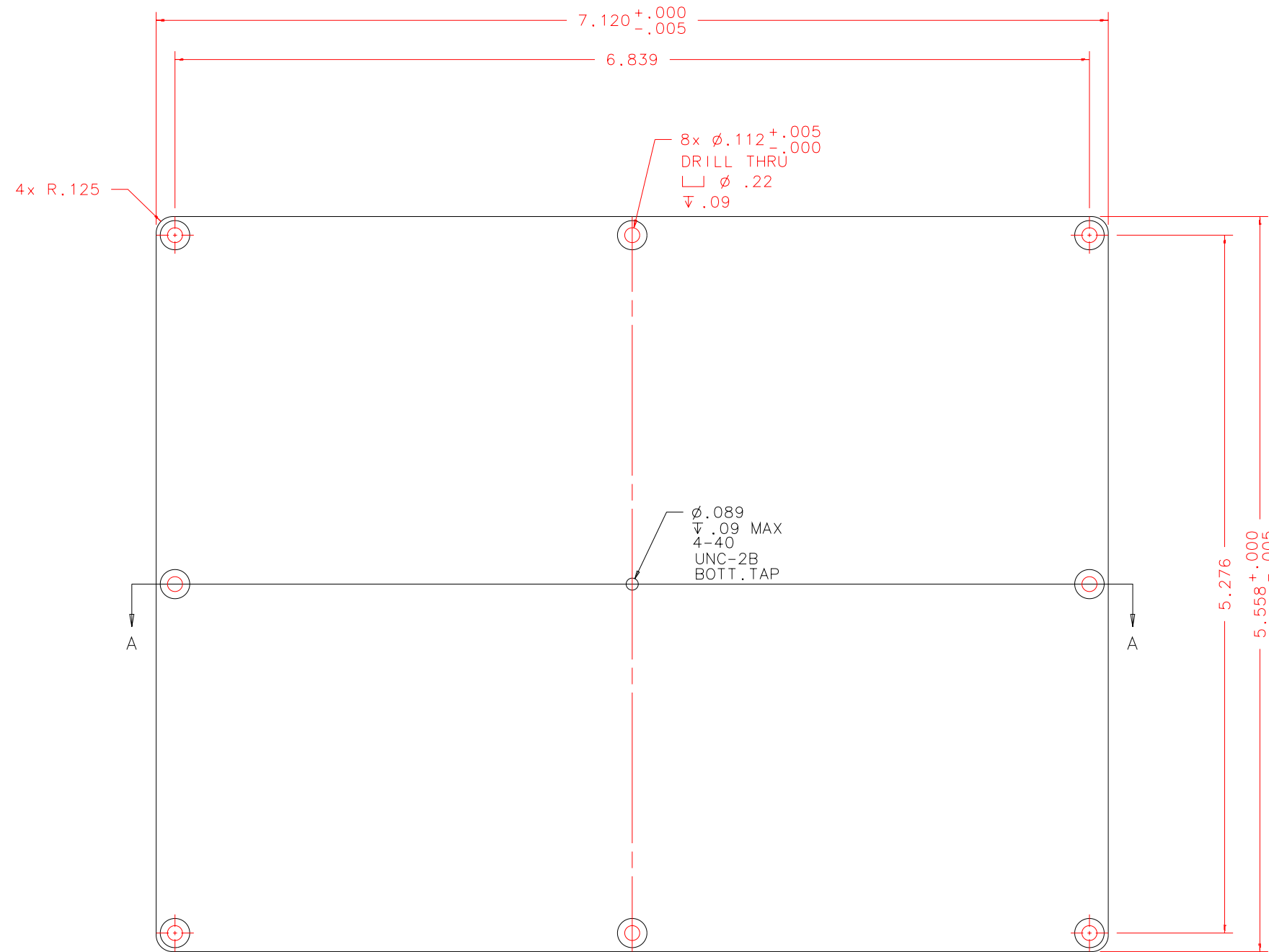


NOTES: UNLESS OTHERWISE NOTED
 1. MACHINED SURFACE ROUGHNESS 64
 O-RING GROOVES AND SURFACES 32
 2. REMOVE ALL BURRS/SHARP CORNERS

BILL OF MATERIAL				
NO.	REQ'D	REF DRW	DESCRIPTION	MATERIAL
N/A	1	SG13-020B	OPTICS BENCH SUPPORT COVER	ALU 6061-T6



SECTION A-A: SCALE 1:1



FRONT: SCALE 1:1

REVDATE: 02/06/99	REVISION: ADD 4-40 TAPPED HOLE
REVDATE: N/A	REVISION: N/A
DATE: 05/09/98	INSTITUTE FOR ASTRONOMY
DESIGN: STAHLBERGER	2680 WOODLAWN DR. HONOLULU, HI 96822
DRAWN: STAHLBERGER	INSTRUMENT: SPEX - CROSS DISPERSED SPECTROGRAPH
APPR'D: J. RAYNER	PART NAME: OPTICS BENCH SUPPORT COVER
TOLERANCES	
X.X	+/- .015
X.XX	+/- .005
X.XXX	+/- .002
ANGLE	+/- 30 min
FRACTION	+/- 1/32
TELESCOPE: IRTF	

SG13-001B	NEXT ASSY
-----------	-----------

DRW NO: SG13-020B	SCALE: 1:1
SIZE: B	JOS NO: 725
SHEET: 1 OF 1	

PLOT: 10/19/99