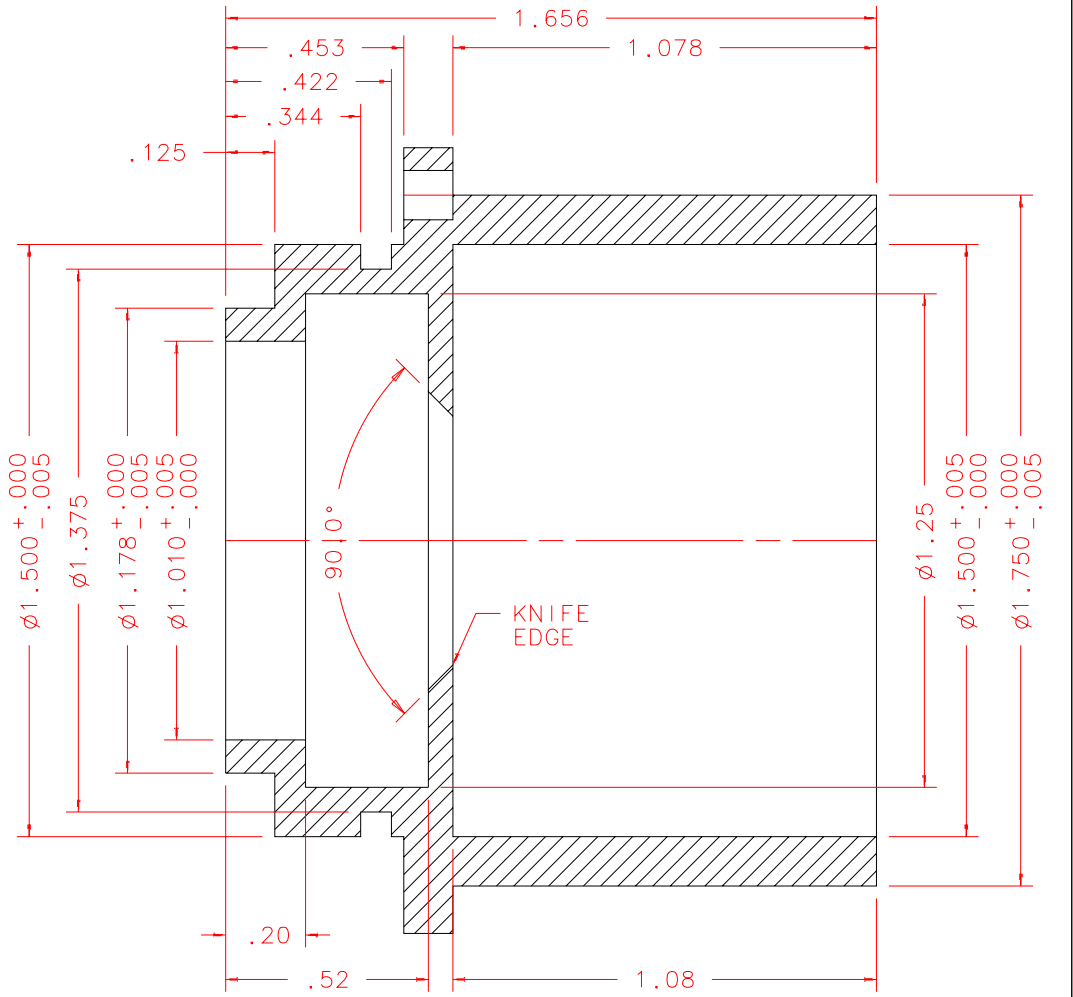
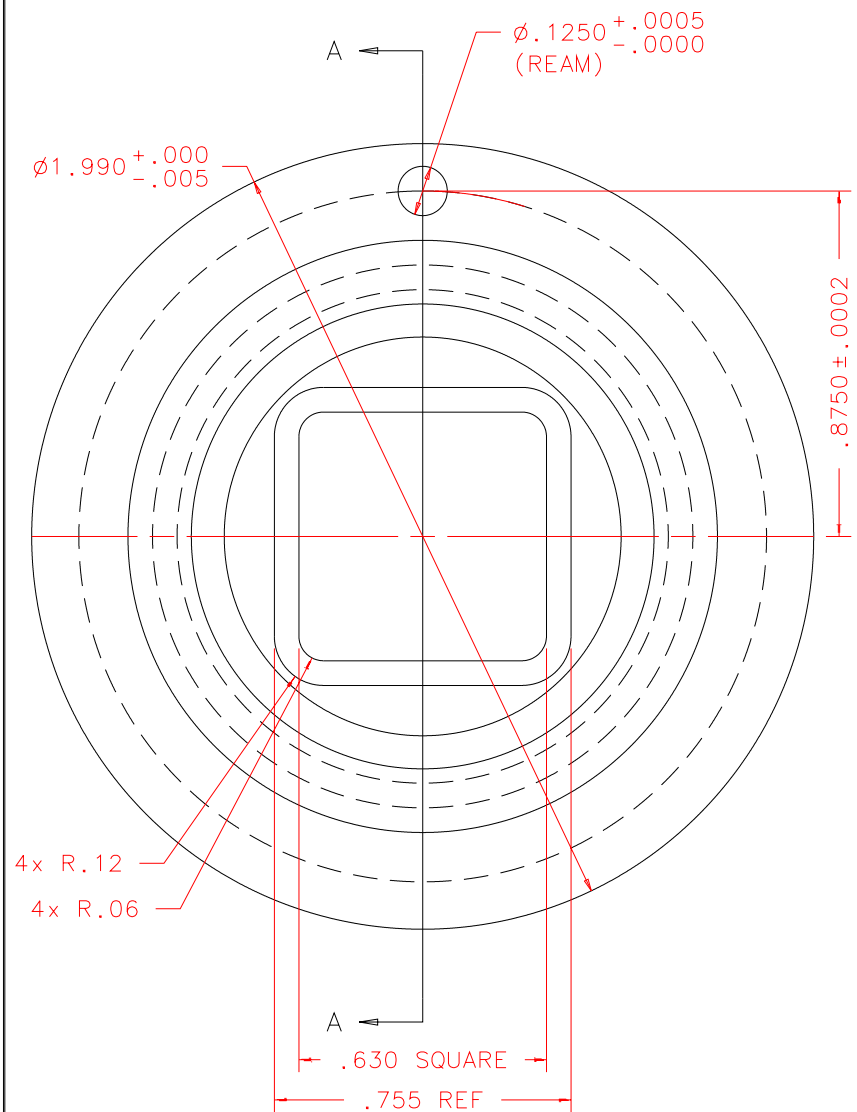


NOTES: UNLESS OTHERWISE NOTED

1. MACHINED SURFACE ROUGHNESS 64
O-RING GROOVES AND SURFACES 32
2. REMOVE ALL BURRS/SHARP CORNERS

BILL OF MATERIAL				
NO.	REQ'D	REF DRW	DESCRIPTION	MATERIAL
N/A	1	SG13-023A	RETRACTABLE BAFFLE	ALU 6061-T6



SECTION A-A

PLOT: 10/19/99

SG13-001B	REVD: N/A	REVISION: N/A	INSTITUTE FOR ASTRONOMY 2680 WOODLAWN DR. HONOLULU, HI 96822 INSTRUMENT: SPEX - CROSS DISPERSED SPECTROGRAPH PART NAME: RETRACTABLE BAFFLE TELESCOPE: IRTF
NEXT ASSY	DATE: 05/09/98	DESIGN: STAHLBERGER	
	DRAWN: STAHLBERGER	APPR'D: J. RAYNER	
	TOLERANCES X.X +/- .015 X.XX +/- .005 X.XXX +/- .002 ANGLE +/- 30 min FRACTION +/- 1/32		
	DRW NO: SG13-023A	SCALE: 2:1	

SIZE: A	JOS NO: 725	SHEET: 1 OF 1
---------	-------------	---------------