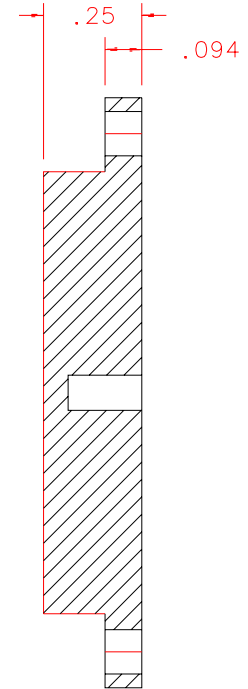
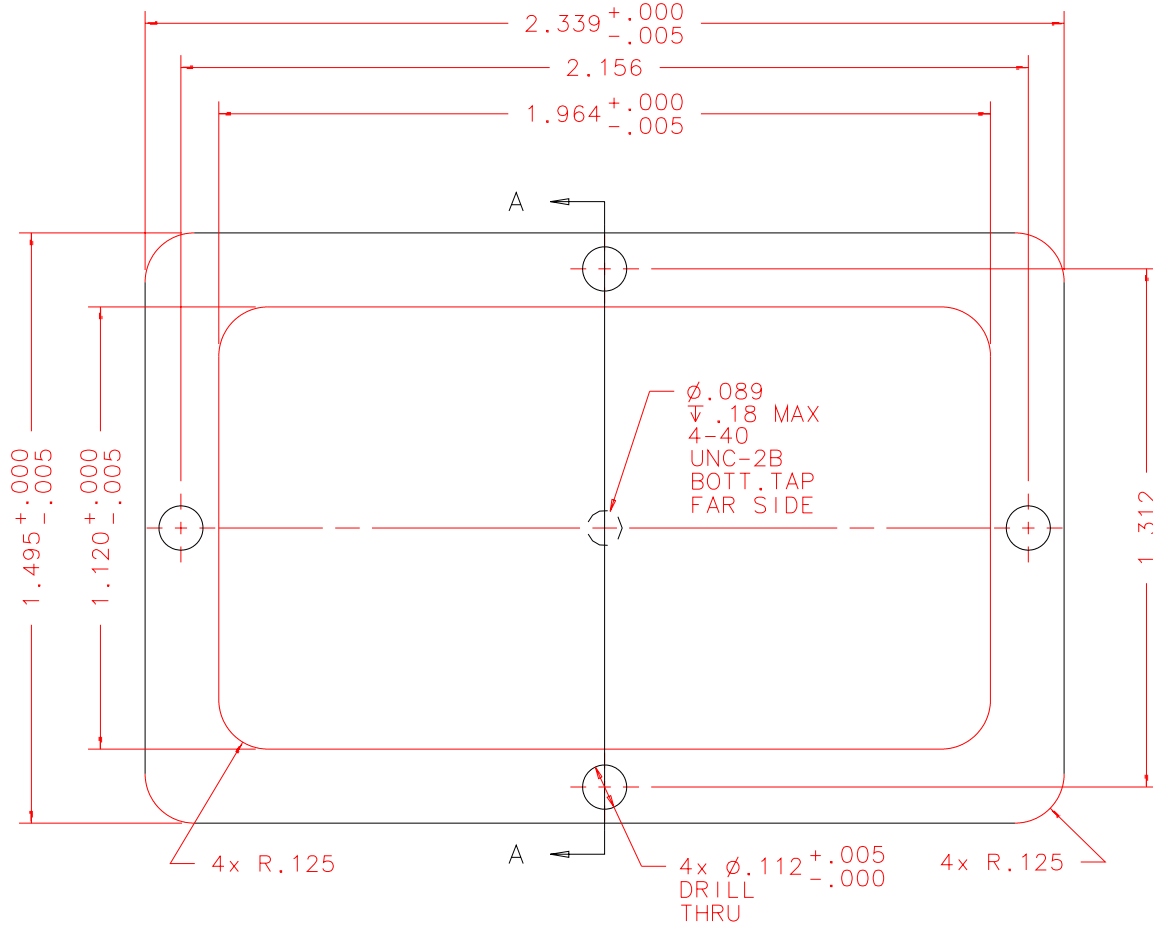


NOTES: UNLESS OTHERWISE NOTED

1. MACHINED SURFACE ROUGHNESS 64
O-RING GROOVES AND SURFACES 32
2. REMOVE ALL BURRS/SHARP CORNERS

BILL OF MATERIAL				
NO.	REQ'D	REF DRW	DESCRIPTION	MATERIAL
N/A	1	SG13-025A	WORM DRIVE ACCESS COVER	ALU 6061-T6



FRONT

SECTION A-A

REVDATE: 02/06/99	REVISION: ADD 4-40 TAPPED HOLE
REVDATE: N/A	REVISION: N/A
DATE: 05/09/98	INSTITUTE FOR ASTRONOMY
DESIGN: STAHLBERGER	2680 WOODLAWN DR. HONOLULU, HI 96822
DRAWN: STAHLBERGER	INSTRUMENT: SPEX - CROSS DISPERSED SPECTROGRAPH
APPR'D: J. RAYNER	PART NAME: WORM DRIVE ACCESS COVER
TOLERANCES	
X.X	+/- .015
X.XX	+/- .005
X.XXX	+/- .002
ANGLE	+/- 30 min
FRACTION	+/- 1/32
TELESCOPE: IRTF	
DRW NO: SG13-025A	SCALE: 2:1
SIZE: A	JOS NO: 725
	SHEET: 1 OF 1

PLOT: 10/19/99

SG13-001B
NEXT ASSY