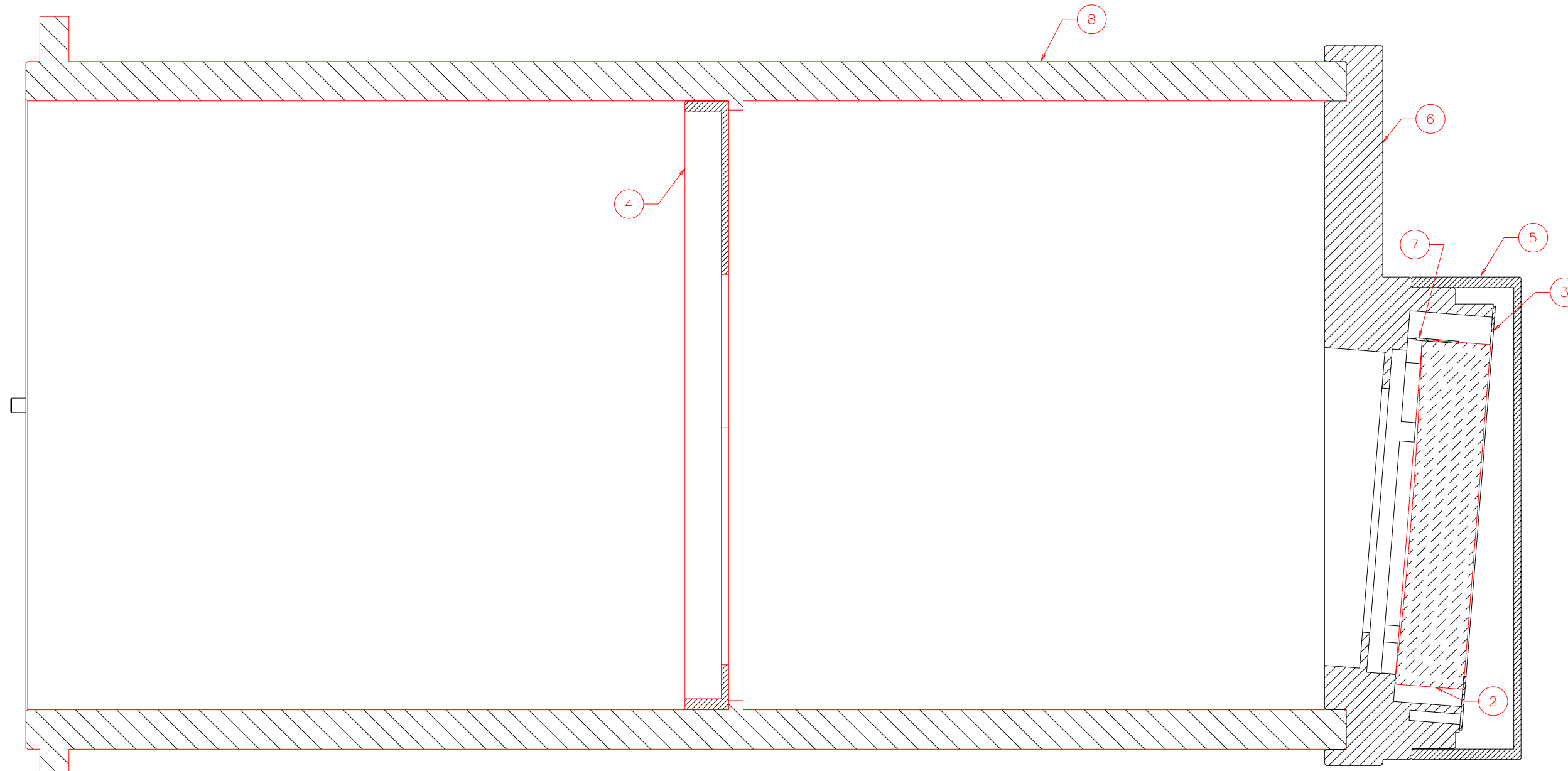


NOTES: UNLESS OTHERWISE NOTED  
 1. MACHINED SURFACE ROUGHNESS 64  
 O-RING GROOVES AND SURFACES 32  
 2. REMOVE ALL BURRS/SHARP CORNERS

BILL OF MATERIAL				
NO.	REQ'D	REF DRW	DESCRIPTION	MATERIAL
N/A	1	SG2-001B	F.O.C.	N/A
1	4	N/A	DOWEL PIN D14-10(BERG)	STAINLESS
2	1	SG2-011A	F.O.C. ACTUAL SIZE	GLASS
3	1	SG2-012A	F.O.C. AXIAL SPRING	PHOS.BRONZE
4	1	SG2-013A	F.O.C. MIDBAFFLE	ALU 6061-T6
5	1	SG2-017A	F.O.C. MIRROR COVER	ALU 6061-T6
6	1	SG2-018B	F.O.C. MIRROR MOUNT	ALU 6061-T6
7	1	SG2-015A	F.O.C. RADIAL SPRING	PHOS.BRONZE
8	1	SG2-016B	F.O.C. TUBE	ALU 6061-T6



SECTION A-A: SCALE 1:1

REVDATE: N/A	REVISION: N/A
DATE: 06/04/98	<b>INSTITUTE FOR ASTRONOMY</b>
DESIGN: STAHLBERGER	2680 WOODLAWN DR. HONOLULU, HI 96822
DRAWN: STAHLBERGER	INSTRUMENT: SPEX - CROSS DISPERSED SPECTROGRAPH
APPR'D: J. RAYNER	PART NAME: F.O.C.
<b>TOLERANCES</b>	TELESCOPE: IRTF
X.X +/- .015	DRW NO: SG2-001B
X.XX +/- .005	SCALE: NOTED
X.XXX +/- .002	SIZE: B
ANGLE +/- 30 min	JOS NO: 725
FRACTION +/- 1/32	SHEET: 2 OF 2

PLOT: 10/19/99

SG0-001B  
NEXT ASSY