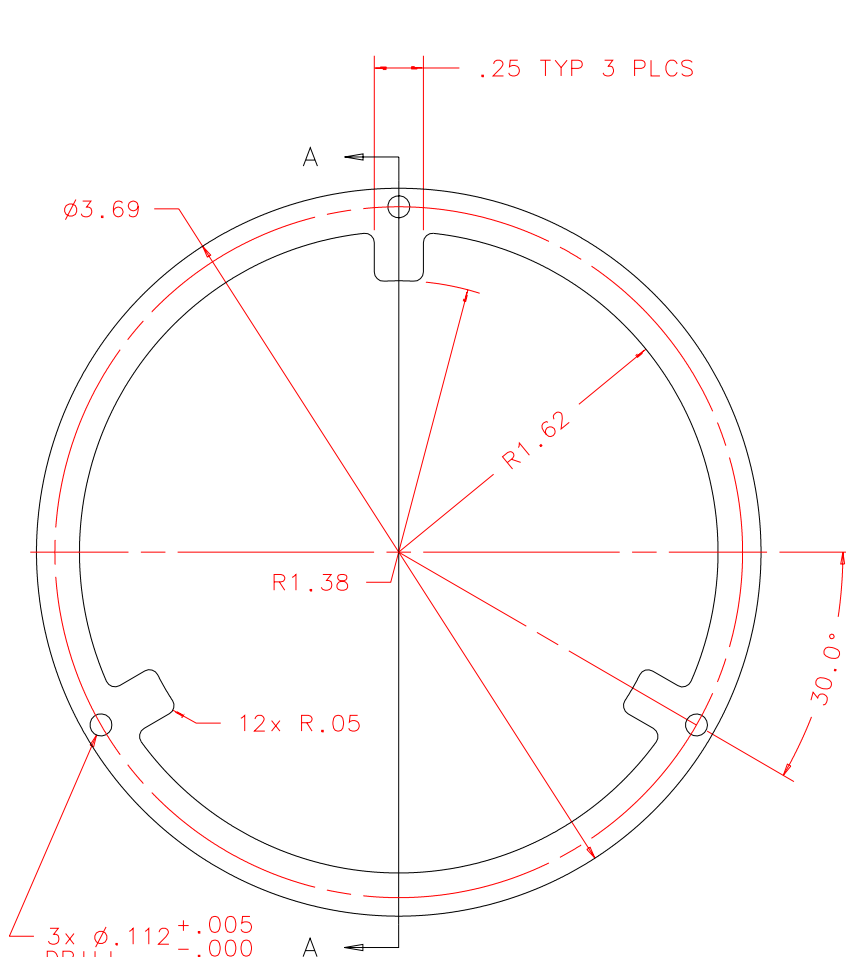


NOTES: UNLESS OTHERWISE NOTED

1. MACHINED SURFACE ROUGHNESS 64
O-RING GROOVES AND SURFACES 32
2. REMOVE ALL BURRS/SHARP CORNERS

BILL OF MATERIAL

NO.	REQ'D	REF DRW	DESCRIPTION	MATERIAL
N/A	1	SG2-012A	F.O.C. AXIAL SPRING	PHOS.BRONZE



.020



SECTION A-A

FRONT

3x ø.112 \pm .005
DRILL
THRU
EQ. SPCD
ON ø 3.500

REVDATE: N/A	REVISION: N/A
DATE: 06/05/98	INSTITUTE FOR ASTRONOMY 2680 WOODLAWN DR. HONOLULU, HI 96822
DESIGN: STAHLBERGER	INSTRUMENT: SPEX - CROSS DISPERSED SPECTROGRAPH
DRAWN: STAHLBERGER	PART NAME: F.O.C. AXIAL SPRING
APPR'D: J. RAYNER	TELESCOPE: IRTF
TOLERANCES	
X.X	\pm .015
X.XX	\pm .005
X.XXX	\pm .002
ANGLE	\pm 30 min
FRACTION	\pm 1/32
DRW NO: SG2-012A	SCALE: 1:1
SIZE: A	JOS NO: 725
SHEET: 1 OF 1	

PLOT:10/19/99

SG2-001B
NEXT ASSY