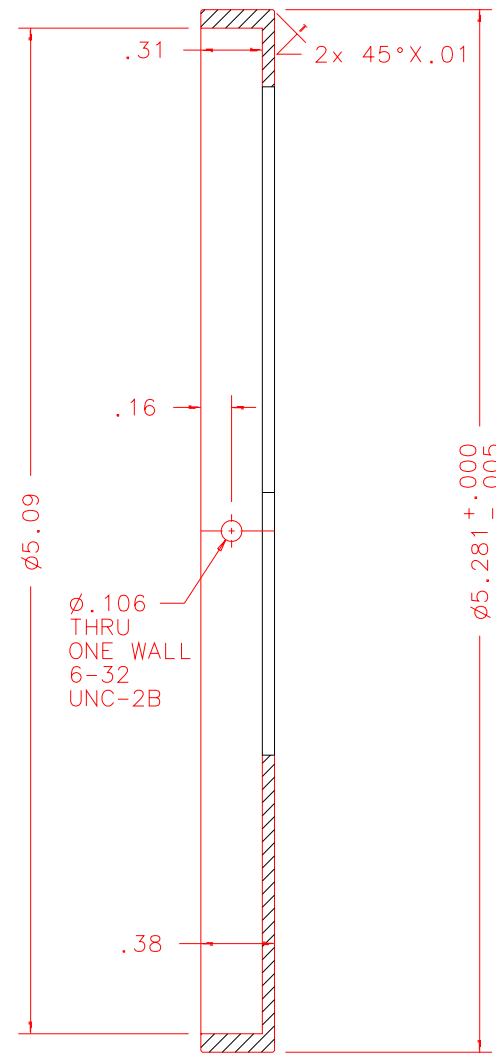
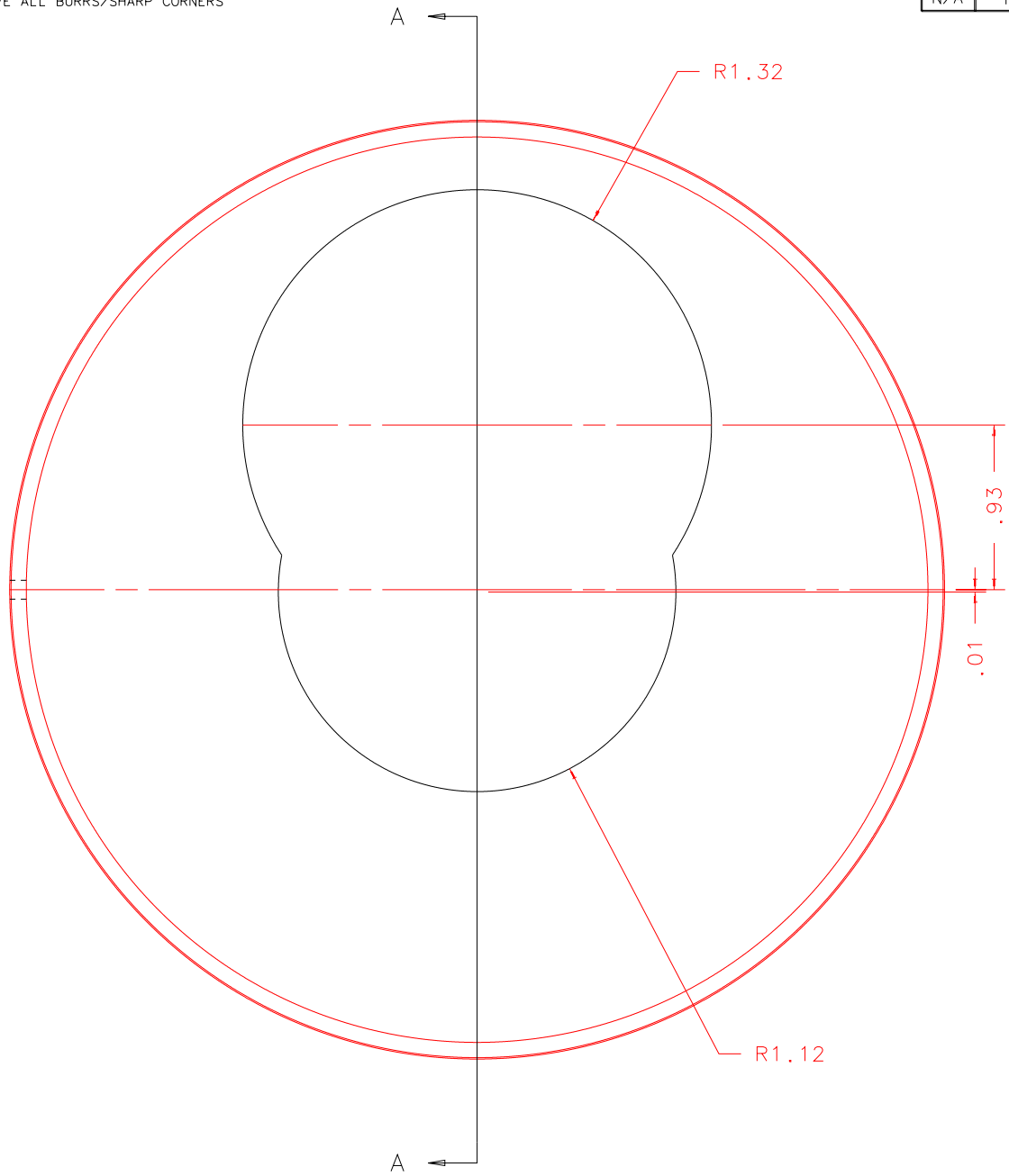


NOTES: UNLESS OTHERWISE NOTED

1. MACHINED SURFACE ROUGHNESS 64  
O-RING GROOVES AND SURFACES 32
2. REMOVE ALL BURRS/SHARP CORNERS

BILL OF MATERIAL				
NO.	REQ'D	REF DRW	DESCRIPTION	MATERIAL
N/A	1	SG2-013A	F.O.C. MIDBAFFLE	ALU 6061-T6



SECTION A-A

FRONT

PLOT: 10/19/99

SG2-001B	REVISION: N/A	<b>INSTITUTE FOR ASTRONOMY</b>	
NEXT ASSY	DATE: 06/05/98	2680 WOODLAWN DR. HONOLULU, HI 96822	
	DESIGN: STAHLBERGER	INSTRUMENT: SPEX - CROSS DISPERSED SPECTROGRAPH	
	DRAWN: STAHLBERGER	PART NAME: F.O.C. MIDBAFFLE	
	APPR'D: J. RAYNER	TELESCOPE: IRTF	
	<b>TOLERANCES</b>	DRW NO: SG2-013A	SCALE: 2:1
	X.X +/- .015	SIZE: A	JOS NO: 725
	X.XX +/- .005	SHEET: 1 OF 1	
	X.XXX +/- .002		
	ANGLE +/- 30 min		
	FRACTION +/- 1/32		