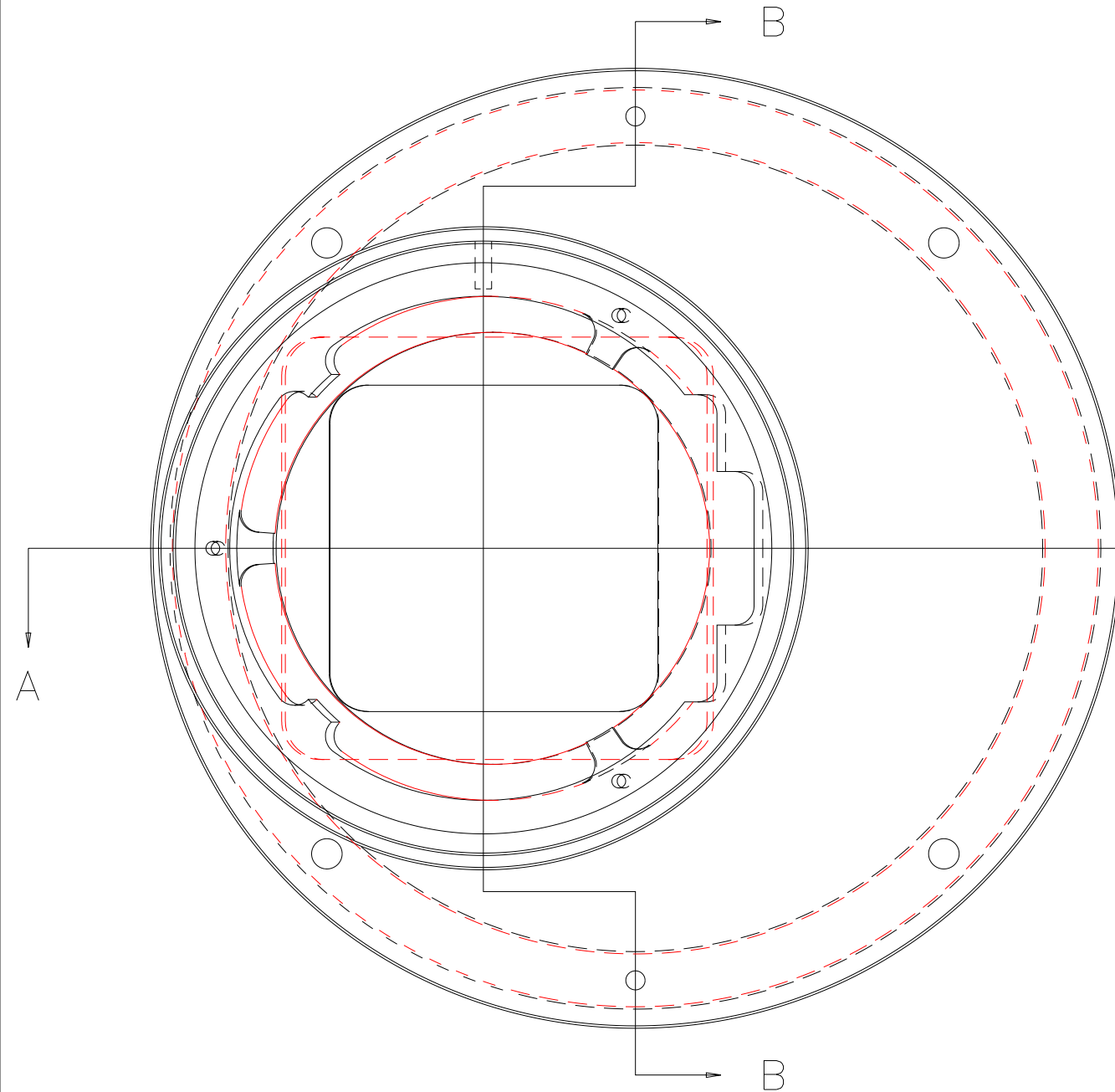
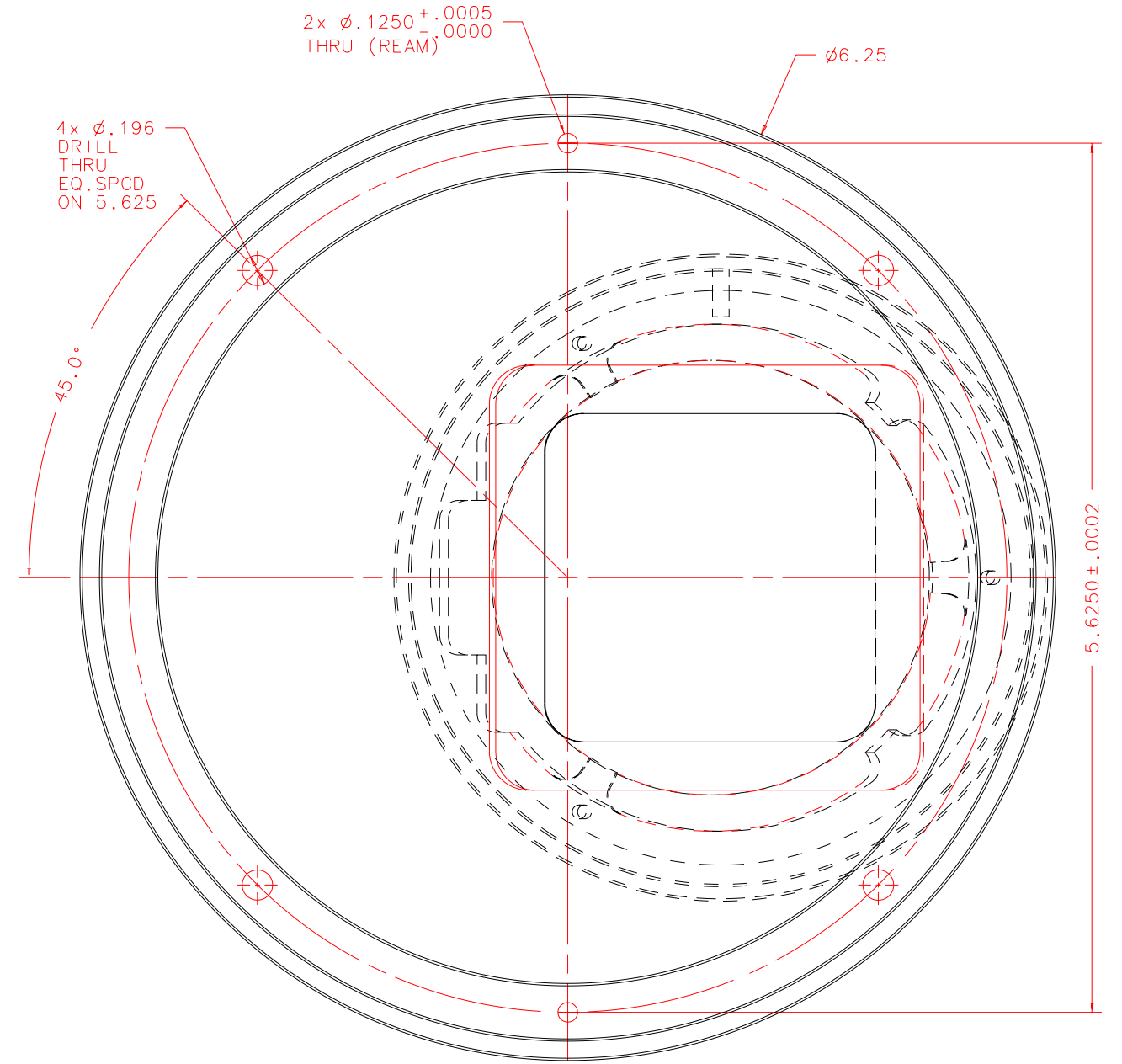


NOTES: UNLESS OTHERWISE NOTED
 1. MACHINED SURFACE ROUGHNESS 64
 O-RING GROOVES AND SURFACES 32
 2. REMOVE ALL BURRS/SHARP CORNERS

BILL OF MATERIAL				
NO.	REQ'D	REF DRW	DESCRIPTION	MATERIAL
N/A	1	SG2-014B	F.O.C. MOUNT MIRROR	ALU 6061-T6



FRONT: SCALE 1:1



BACK: SCALE 1:1

PLOT: 10/19/99

SG2-001B
 NEXT ASSY

REVD: N/A	REVISION: N/A
DATE: 06/05/98	INSTITUTE FOR ASTRONOMY
DESIGN: STAHLBERGER	2680 WOODLAWN DR. HONOLULU, HI 96822
DRAWN: STAHLBERGER	INSTRUMENT: SPEX - CROSS DISPERSED SPECTROGRAPH
APPR'D: J. RAYNER	PART NAME: F.O.C. MOUNT MIRROR
	TELESCOPE: IRTF
TOLERANCES	
X.X	+/- .015
X.XX	+/- .005
X.XXX	+/- .002
ANGLE	+/- 30 min
FRACTION	+/- 1/32
DRW NO: SG2-014B	SCALE: NOTED
SIZE: B	JOS NO: 725
	SHEET: 1 OF 4