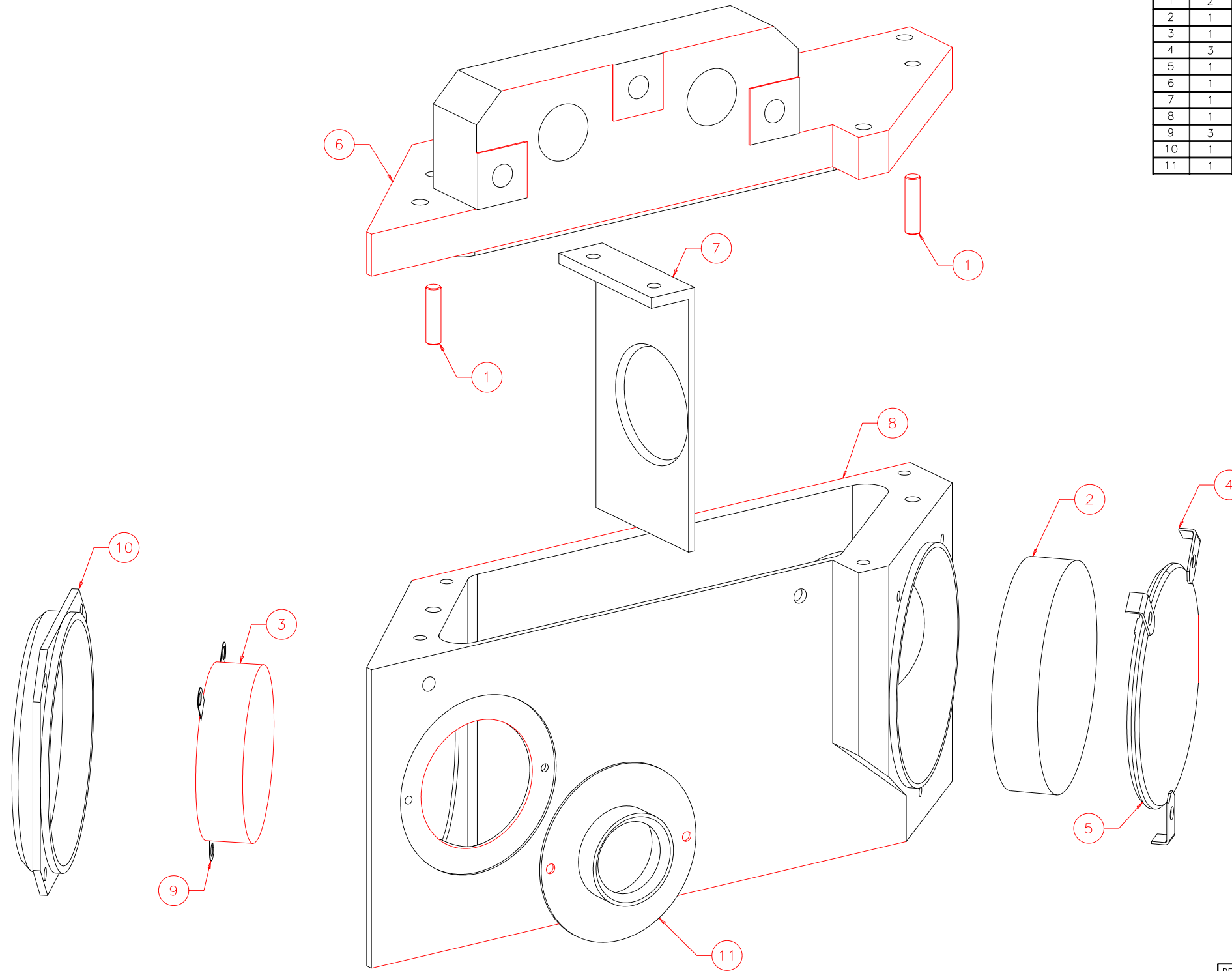


NOTES: UNLESS OTHERWISE NOTED
 1. MACHINED SURFACE ROUGHNESS 64
 O-RING GROOVES AND SURFACES 32
 2. REMOVE ALL BURRS/SHARP CORNERS

BILL OF MATERIAL				
NO.	REQ'D	REF DRW	DESCRIPTION	MATERIAL
N/A	1	SG4-001B	FLAT1-2 MIRROR MOUNT	N/A
1	2	N/A	DOWEL PIN D14-10(BERG)	STAINLESS
2	1	S05-016A	FLAT 1	OPTIC GLASS
3	1	S05-017A	FLAT 2	OPTIC GLASS
4	3	SG4-011A	FLAT1 CLIP	PHOS.BRONZE
5	1	SG4-012A	FLAT1 COVER	ALU 6061-T6
6	1	SG4-013A	FLAT1-2 COVER	ALU 6061-T6
7	1	SG4-014A	FLAT1-2 MIDBAFFLE	ALU 6061-T6
8	1	S05-015B	FLAT1-2 MOUNT	ALU 6061-T6
9	3	SG4-016A	FLAT2 CLIP	PHOS.BRONZE
10	1	SG4-017A	FLAT2 COVER	ALU 6061-T6
11	1	SG4-019A	POST FLAT2 BAFFLE	ALU 6061-T6

NOTES:

A) USE VENTED SCREWS FOR NONPENETRATING TAPPED HOLES.



ISOVIEW EXPLODED
SCALE FULL

REVDATE: 01/27/99	REVISION: ADD XSECTION VIEW SHEET 2
REVDATE: N/A	REVISION: N/A
DATE: 05/15/98	INSTITUTE FOR ASTRONOMY
DESIGN: STAHLBERGER	2680 WOODLAWN DR. HONOLULU, HI 96822
DRAWN: STAHLBERGER	INSTRUMENT: SPEX - CROSS DISPERSED SPECTROGRAPH
APPR'D: J. RAYNER	PART NAME: FLAT1-2 MIRROR MOUNT
TOLERANCES	TELESCOPE: IRTF
X.X +/- .015	DRW NO: SG4-001B
X.XX +/- .005	SCALE: N/A
X.XXX +/- .002	SIZE: B
ANGLE +/- 30 min	JOS NO: 725
FRACTION +/- 1/32	SHEET: 1 OF 2

SG0-001B	
NEXT ASSY	