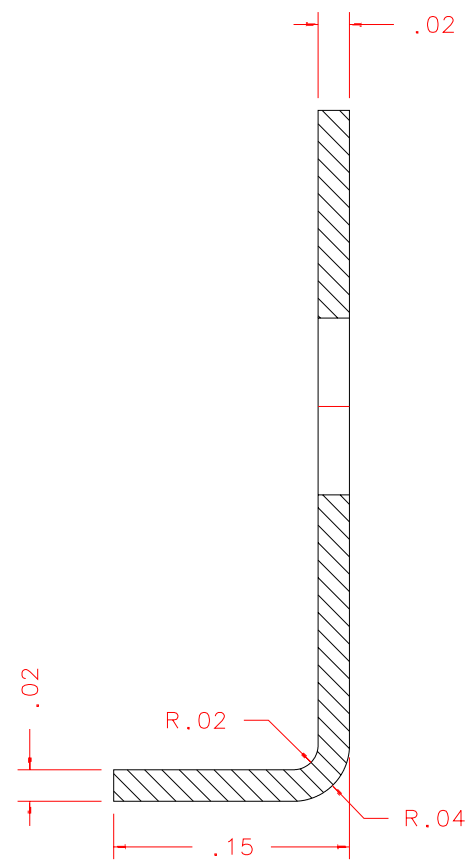
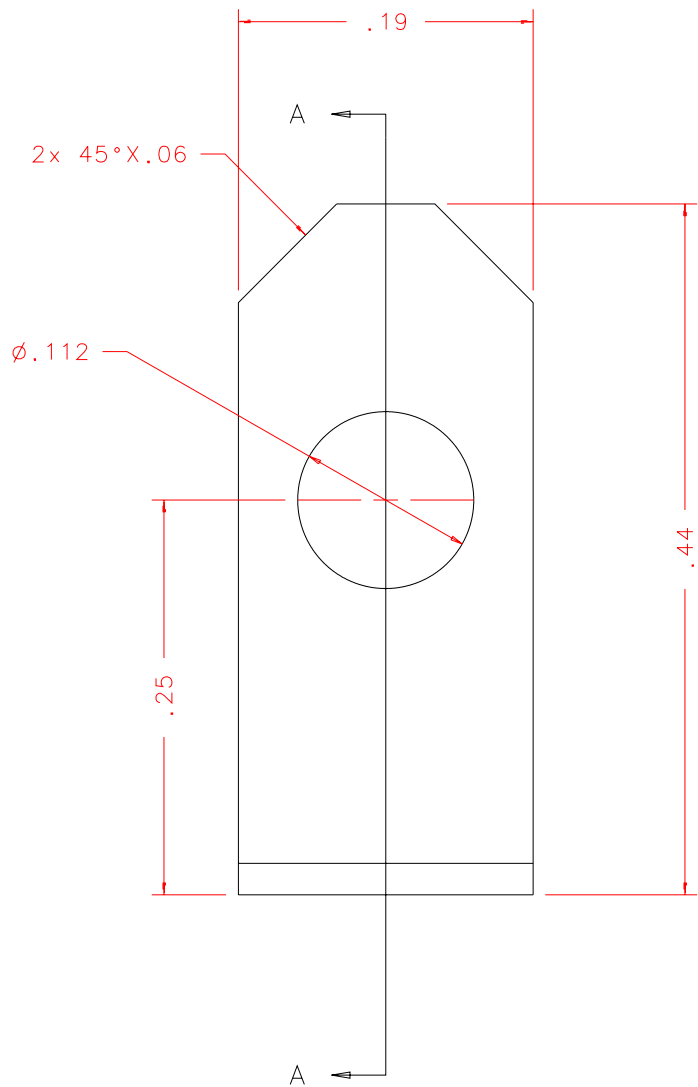


NOTES: UNLESS OTHERWISE NOTED

1. MACHINED SURFACE ROUGHNESS 64
O-RING GROOVES AND SURFACES 32
2. REMOVE ALL BURRS/SHARP CORNERS

BILL OF MATERIAL				
NO.	REQ'D	REF DRW	DESCRIPTION	MATERIAL
N/A	3	SG4-011A	FLAT1 CLIP	PHOS. BRONZE



SECTION A-A

FRONT

REVDATE: N/A	REVISION: N/A
DATE: 05/14/98	INSTITUTE FOR ASTRONOMY
DESIGN: STAHLBERGER	2680 WOODLAWN DR. HONOLULU, HI 96822
DRAWN: STAHLBERGER	INSTRUMENT: SPEX - CROSS DISPERSED SPECTROGRAPH
APPR'D: J. RAYNER	PART NAME: FLAT1 CLIP
TOLERANCES	TELESCOPE: IRTF
X.X +/- .015	DRW NO: SG4-011A
X.XX +/- .005	SCALE: 8:1
X.XXX +/- .002	SIZE: A
ANGLE +/- 30 min	JOS NO: 725
FRACTION +/- 1/32	SHEET: 1 OF 1

SG4-001B
NEXT ASSY

PLOT: 10/19/99