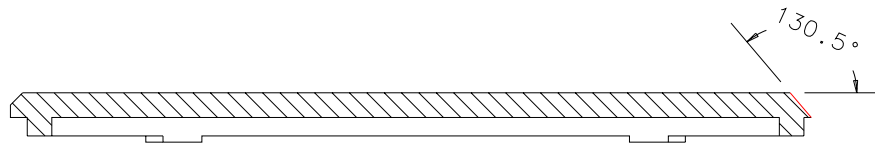


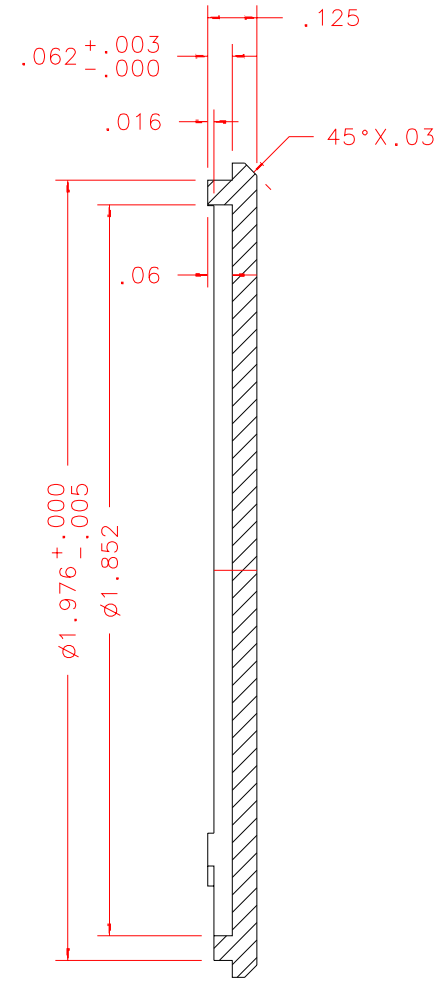
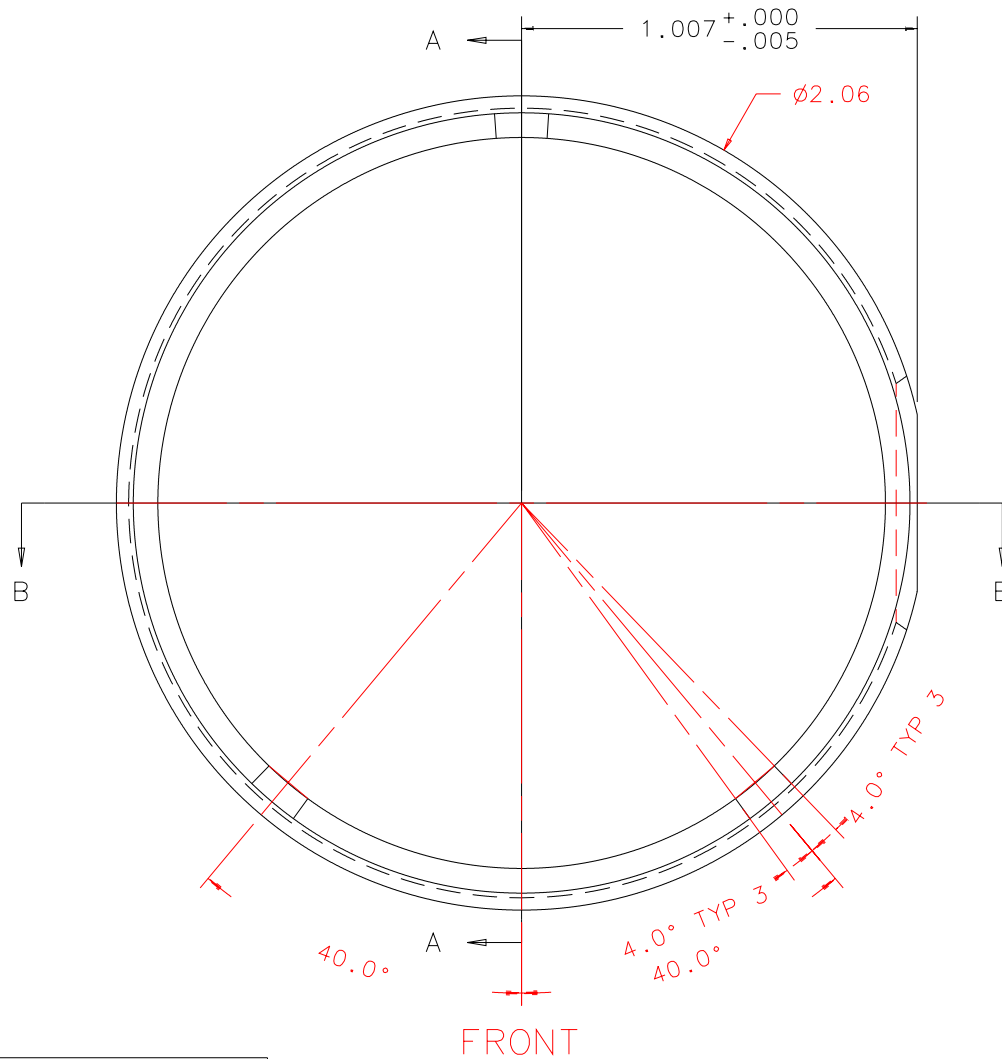
NOTES: UNLESS OTHERWISE NOTED

1. MACHINED SURFACE ROUGHNESS 64  
O-RING GROOVES AND SURFACES 32
2. REMOVE ALL BURRS/SHARP CORNERS

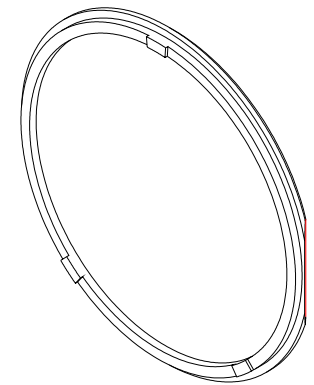
BILL OF MATERIAL				
NO.	REQ'D	REF DRW	DESCRIPTION	MATERIAL
N/A	1	SG4-012A	FLAT1 COVER	ALU 6061-T6



SECTION B-B



SECTION A-A



ISOVIEW 4  
SCALE FULL

REVDATE: 01/27/99	REVISION: ADD CHAMFER SECTION B-B
REVDATE: N/A	REVISION: N/A
DATE: 05/14/98	<b>INSTITUTE FOR ASTRONOMY</b>
DESIGN: STAHLBERGER	2680 WOODLAWN DR. HONOLULU, HI 96822
DRAWN: STAHLBERGER	INSTRUMENT: SPEX - CROSS DISPERSED SPECTROGRAPH
APPR'D: J. RAYNER	PART NAME: FLAT1 COVER
<b>TOLERANCES</b>	TELESCOPE: IRTF
X.X +/- .015	
X.XX +/- .005	
X.XXX +/- .002	
ANGLE +/- 30 min	
FRACTION +/- 1/32	
SG4-001B	DRW NO: SG4-012A
NEXT ASSY	SCALE: 2:1
	SIZE: A
	JOS NO: 725
	SHEET: 1 OF 1

PLOT: 10/19/99