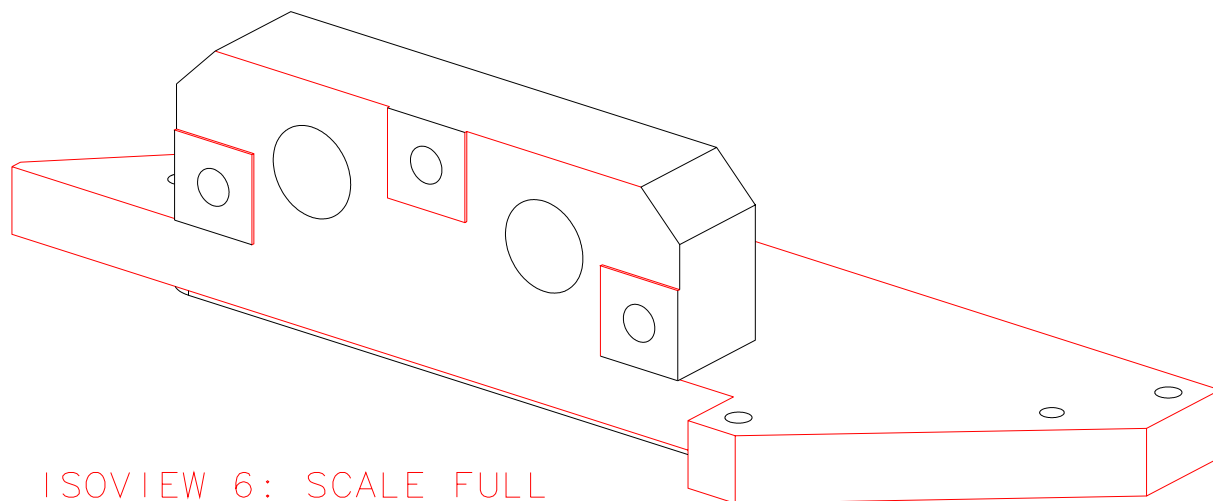
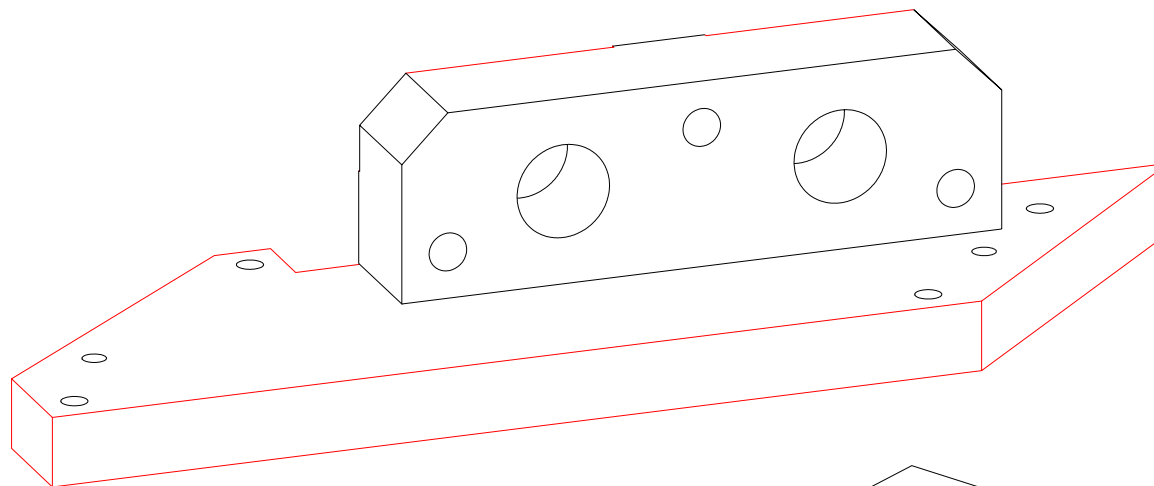


NOTES: UNLESS OTHERWISE NOTED

1. MACHINED SURFACE ROUGHNESS 64  
O-RING GROOVES AND SURFACES 32
2. REMOVE ALL BURRS/SHARP CORNERS

| BILL OF MATERIAL |       |          |               |             |
|------------------|-------|----------|---------------|-------------|
| NO.              | REQ'D | REF DRW  | DESCRIPTION   | MATERIAL    |
| N/A              | 1     | SG4-013A | FLAT1-2 COVER | ALU 6061-T6 |

ISOVIEW 5: SCALE FULL



ISOVIEW 6: SCALE FULL

|                          |  |
|--------------------------|--|
| REVDATE: N/A             | REVISION: N/A  |
| DATE: 05/14/98           | <b>INSTITUTE FOR ASTRONOMY</b><br>2680 WOODLAWN DR. HONOLULU, HI 96822 |
| DESIGN: STAHLBERGER      |  |
| DRAWN: STAHLBERGER       |  |
| APPR'D: J. RAYNER        | INSTRUMENT: SPEX - CROSS DISPERSED SPECTROGRAPH                        |
| <b>TOLERANCES</b>        |  |
| X.X                      | +/- .015   |
| X.XX                     | +/- .005   |
| X.XXX                    | +/- .002   |
| ANGLE                    | +/- 30 min   |
| FRACTION                 | +/- 1/32   |
| PART NAME: FLAT1-2 COVER |  |
| TELESCOPE: IRTF          |  |
| DRW NO: SG4-013A         | SCALE: NOTED   |
| SIZE: A                  | JOS NO: 725  |
| SHEET: 4 OF 4            |  |

|           |
|-----------|
| SG4-001B  |
| NEXT ASSY |

PLOT:10/19/99