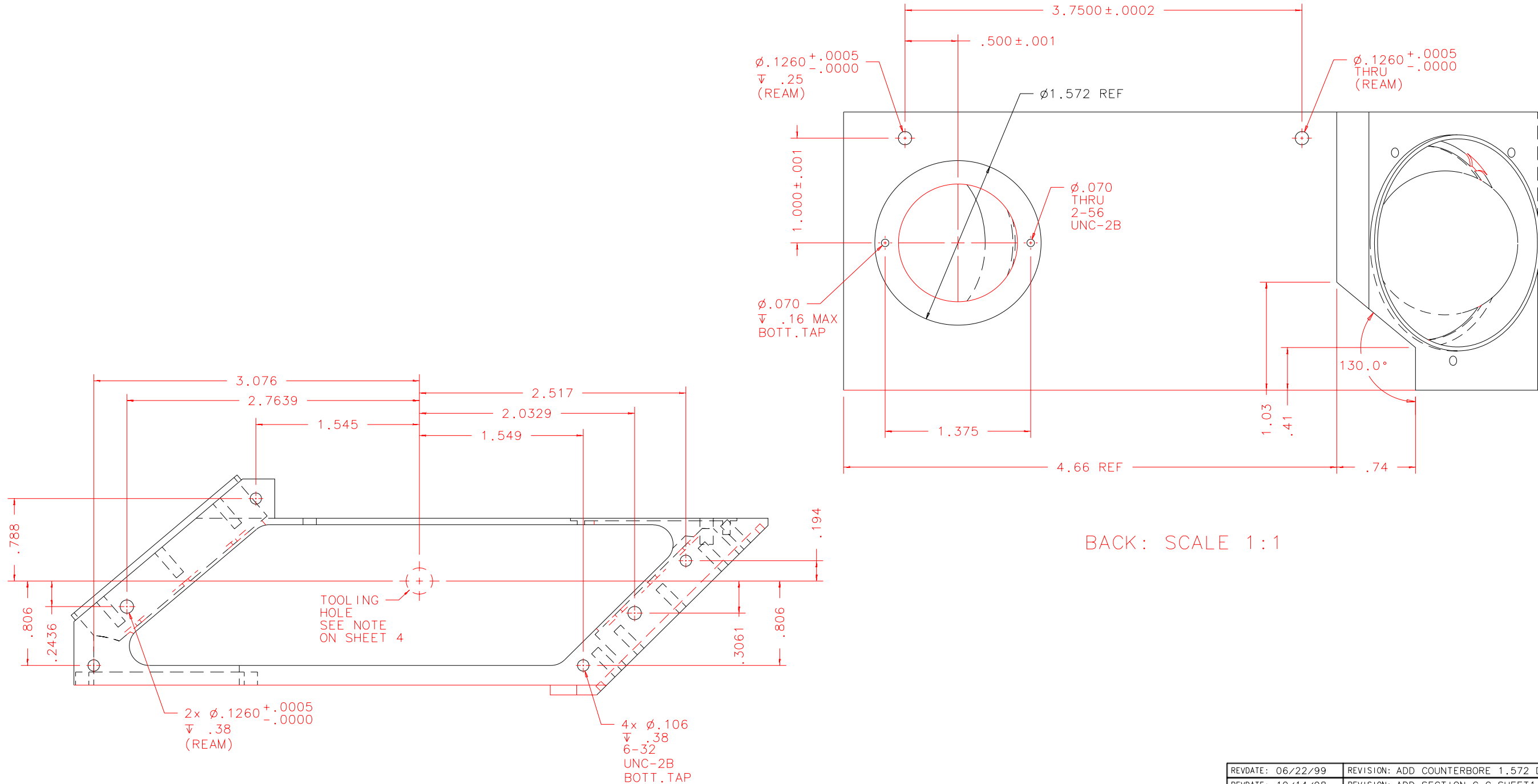


NOTES: UNLESS OTHERWISE NOTED  
 1. MACHINED SURFACE ROUGHNESS 64  
 O-RING GROOVES AND SURFACES 32  
 2. REMOVE ALL BURRS/SHARP CORNERS

BILL OF MATERIAL				
NO.	REQ'D	REF DRW	DESCRIPTION	MATERIAL
N/A	1	SG4-015B	FLAT1-2 MOUNT	ALU 6061-T6



TOP: SCALE 1:1

BACK: SCALE 1:1

TOLERANCES:  
 X.XXXX +/- .0002

REVDATE: 06/22/99	REVISION: ADD COUNTERBORE 1.572 DIA
REVDATE: 10/14/98	REVISION: ADD SECTION C-C SHEET1
REVDATE: N/A	REVISION: N/A
DATE: 05/12/98	<b>INSTITUTE FOR ASTRONOMY</b>
DESIGN: STAHLBERGER	2680 WOODLAWN DR. HONOLULU, HI 96822
DRAWN: STAHLBERGER	INSTRUMENT: SPEX - CROSS DISPERSED SPECTROGRAPH
APPR'D: J. RAYNER	PART NAME: FLAT1-2 MOUNT
<b>TOLERANCES</b>	
X.X	+/- .015
X.XX	+/- .005
X.XXX	+/- .002
ANGLE	+/- 30 min
FRACTION	+/- 1/32
DRW NO: SG4-015B	SCALE: NOTED
SIZE: B	JOS NO: 725
SHEET: 5 OF 6	