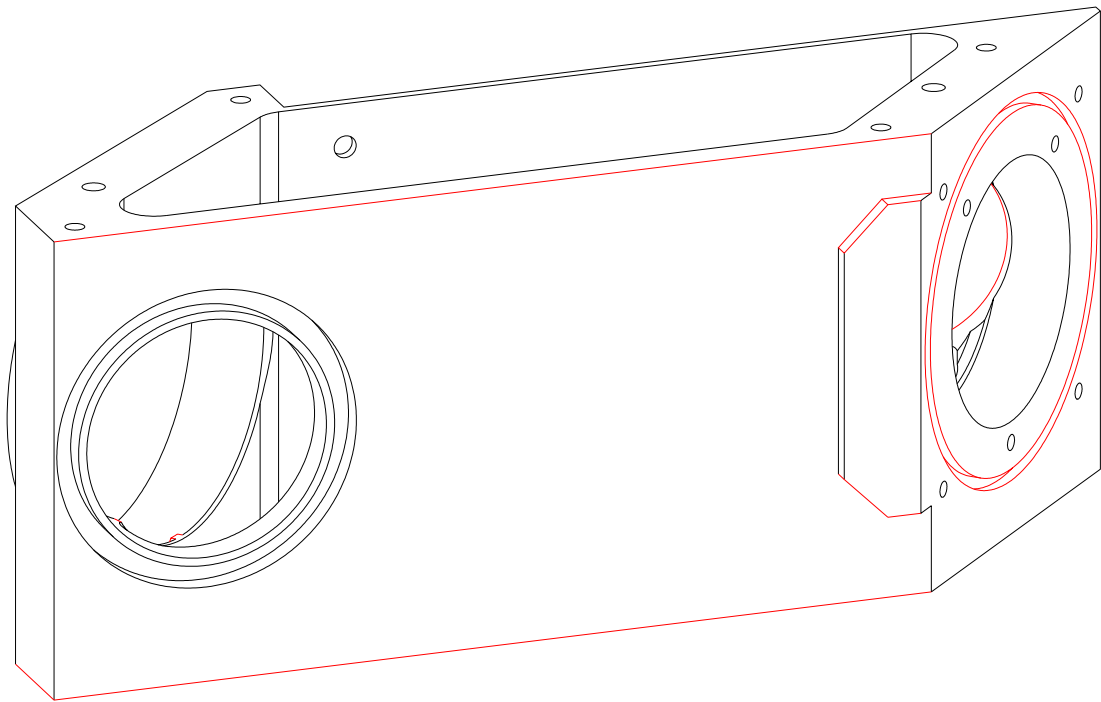
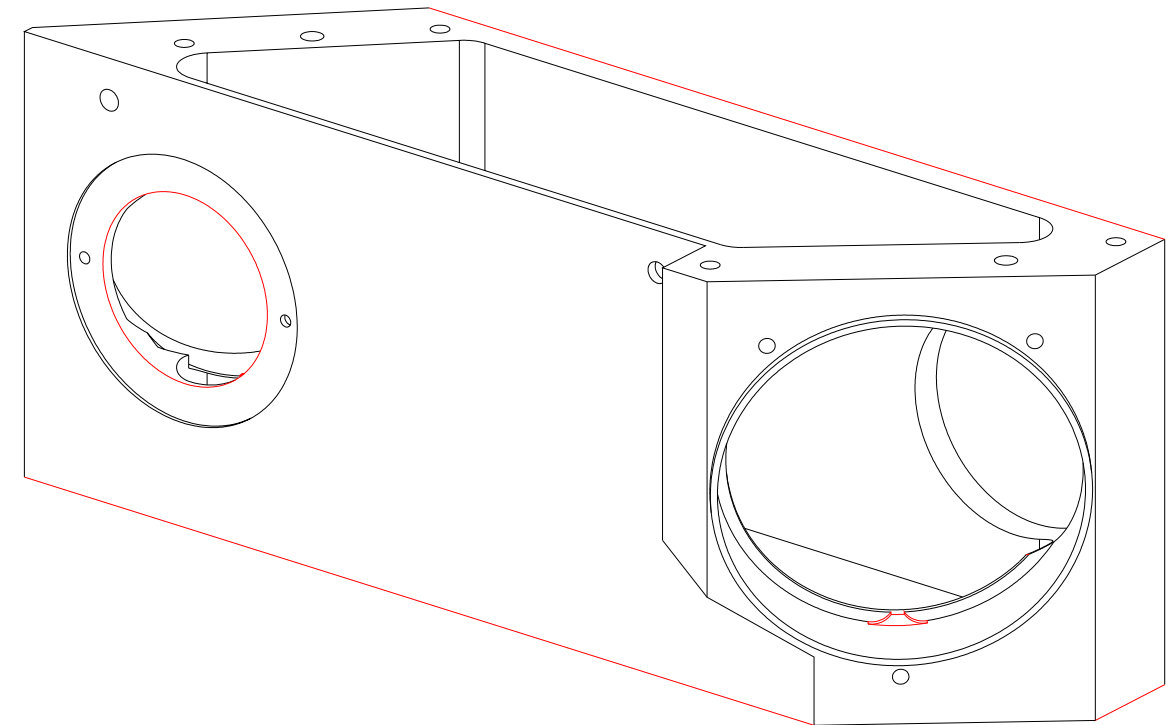


NOTES: UNLESS OTHERWISE NOTED
 1. MACHINED SURFACE ROUGHNESS 64
 O-RING GROOVES AND SURFACES 32
 2. REMOVE ALL BURRS/SHARP CORNERS

BILL OF MATERIAL				
NO.	REQ'D	REF DRW	DESCRIPTION	MATERIAL
N/A	1	SG4-015B	FLAT1-2 MOUNT	ALU 6061-T6



ISOVIEW 7: SCALE FULL



ISOVIEW 8: SCALE FULL

PLOT: 10/19/99

SG4-001B	
NEXT ASSY	

REVDATE: 06/22/99	REVISION: ADD COUNTERBORE 1.572 DIA
REVDATE: 10/14/98	REVISION: ADD SECTION C-C SHEET1
REVDATE: N/A	REVISION: N/A
DATE: 05/12/98	INSTITUTE FOR ASTRONOMY
DESIGN: STAHLBERGER	2680 WOODLAWN DR. HONOLULU, HI 96822
DRAWN: STAHLBERGER	INSTRUMENT: SPEX - CROSS DISPERSED SPECTROGRAPH
APPR'D: J. RAYNER	PART NAME: FLAT1-2 MOUNT
TOLERANCES	TELESCOPE: IRTF
X.X +/- .015	
X.XX +/- .005	
X.XXX +/- .002	
ANGLE +/- 30 min	
FRACTION +/- 1/32	
DRW NO: SG4-015B	SCALE: NOTED
SIZE: B	JOS NO: 725
	SHEET: 6 OF 6