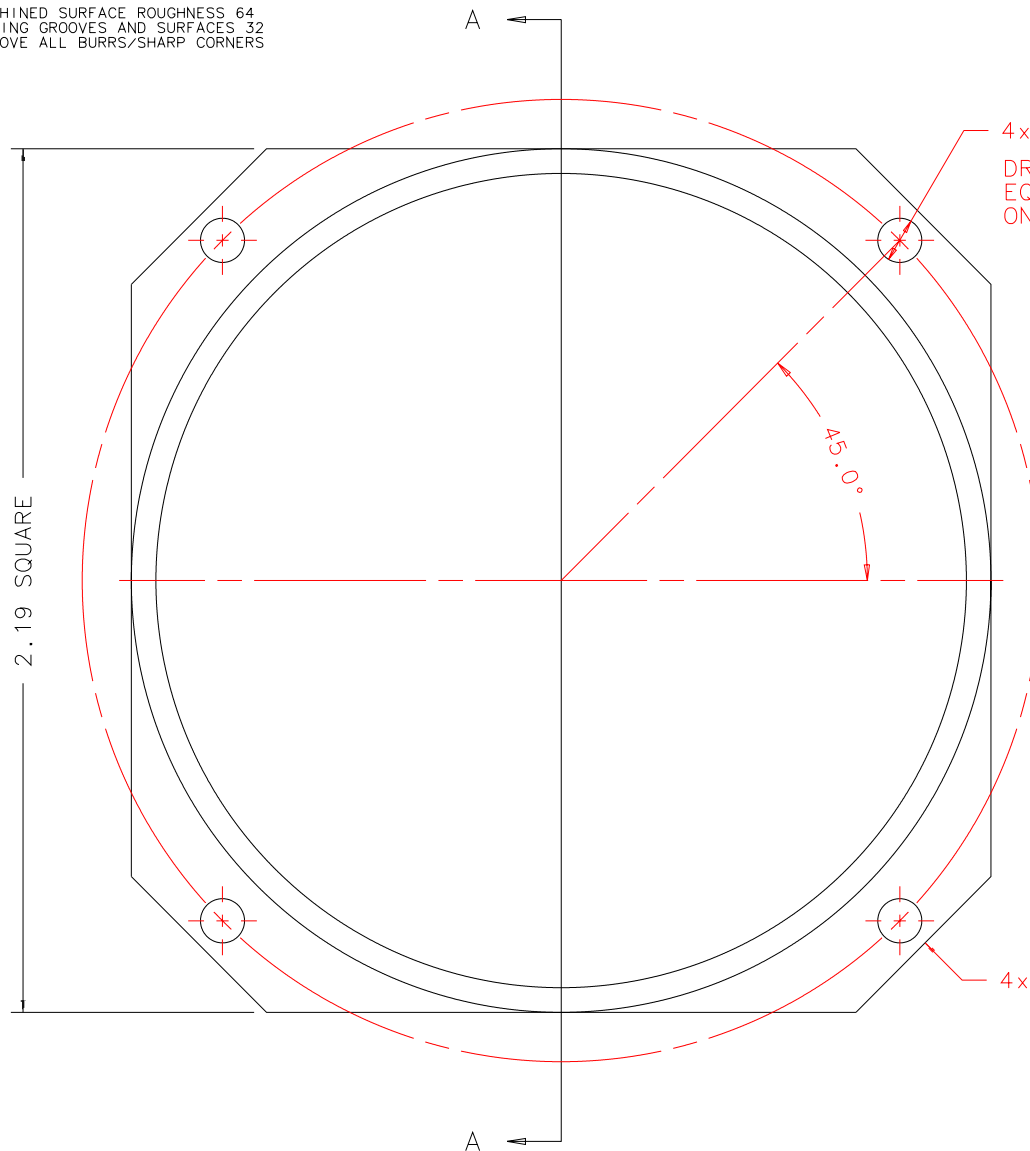


NOTES: UNLESS OTHERWISE NOTED

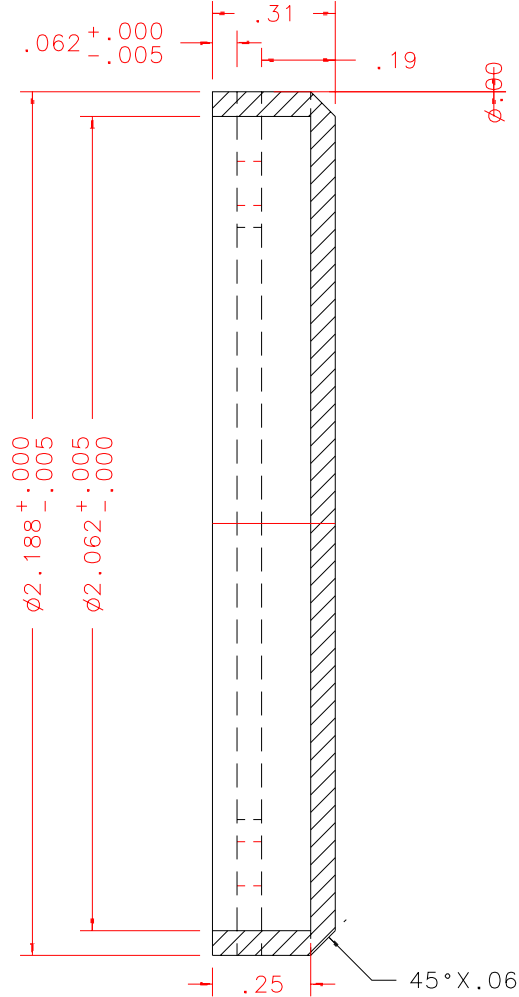
1. MACHINED SURFACE ROUGHNESS 64
O-RING GROOVES AND SURFACES 32
2. REMOVE ALL BURRS/SHARP CORNERS

BILL OF MATERIAL				
NO.	REQ'D	REF DRW	DESCRIPTION	MATERIAL
N/A	1	SG4-017A	FLAT2 COVER	ALU 6061-T6



4x $\phi .112^{+.005}_{-.000}$
DRILL THRU
EQ.SPCD
ON $\phi 2.438$

4x 45°X.34



SECTION A-A

FRONT

REVDATE: 01/11/99	REVISION: CHAM. 05 TO 06, 2.19 WAS 2.250
REVDATE: N/A	REVISION: N/A
DATE: 05/14/98	INSTITUTE FOR ASTRONOMY
DESIGN: STAHLBERGER	2680 WOODLAWN DR. HONOLULU, HI 96822
DRAWN: STAHLBERGER	INSTRUMENT: SPEX - CROSS DISPERSED SPECTROGRAPH
APPR'D: J. RAYNER	PART NAME: FLAT2 COVER
TOLERANCES	
X.X	+/- .015
X.XX	+/- .005
X.XXX	+/- .002
ANGLE	+/- 30 min
FRACTION	+/- 1/32
TELESCOPE: IRTF	
DRW NO: SG4-017A	SCALE: 2:1
SIZE: A	JOS NO: 725
	SHEET: 1 OF 1

PLOT: 10/19/99

SG4-001B
NEXT ASSY