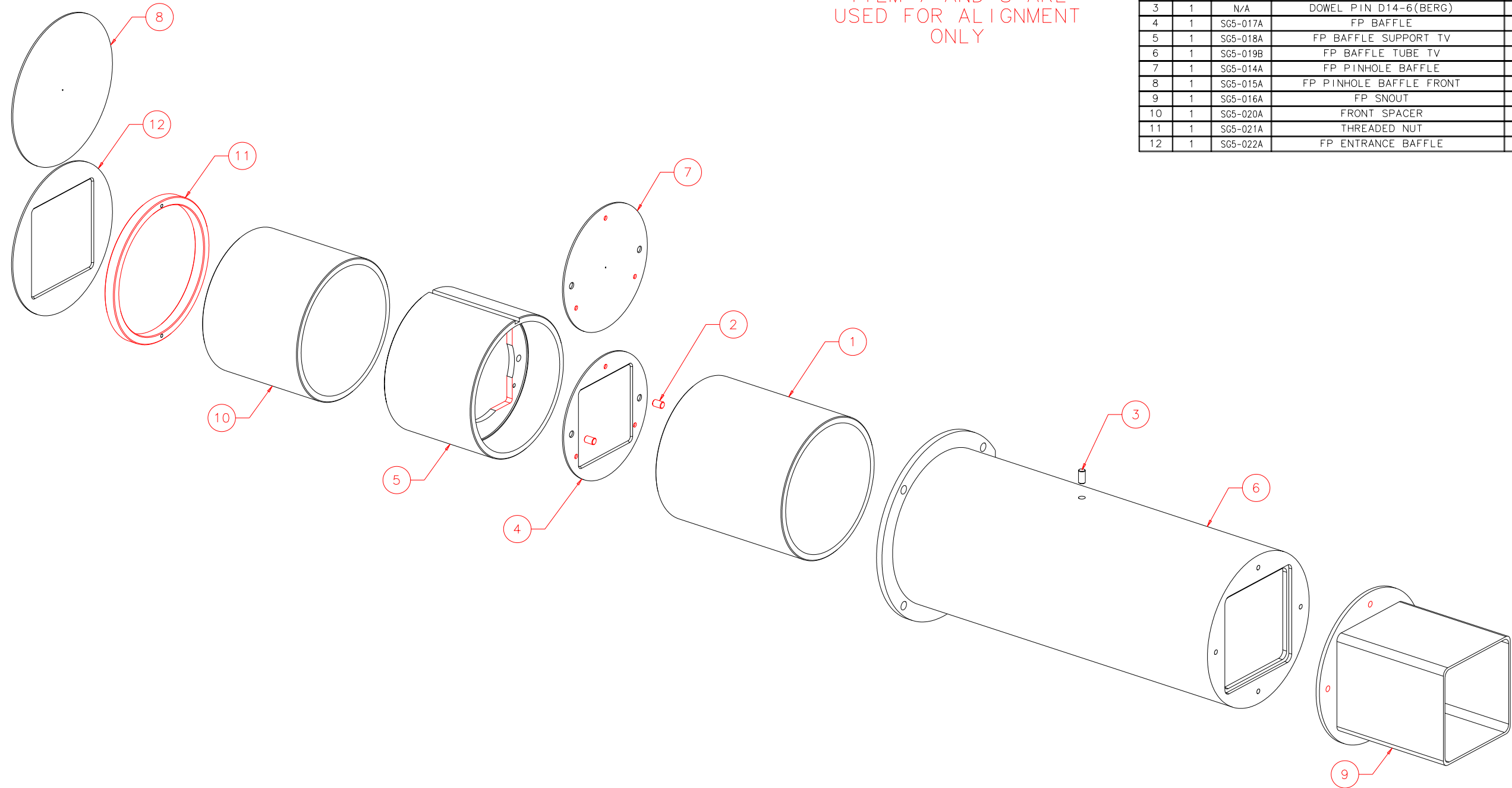


NOTES: UNLESS OTHERWISE NOTED
 1. MACHINED SURFACE ROUGHNESS 64
 O-RING GROOVES AND SURFACES 32
 2. REMOVE ALL BURRS/SHARP CORNERS

NOTE:
 ITEM 7 AND 8 ARE
 USED FOR ALIGNMENT
 ONLY

BILL OF MATERIAL				
NO.	REQ'D	REF DRW	DESCRIPTION	MATERIAL
N/A	1	SG5-001B	FP BAFFLE	N/A
1	1	SG5-011A	BACK SPACER	ALU 6061-T6
2	2	N/A	DOWEL PIN D14-4(BERG)	STAINLESS
3	1	N/A	DOWEL PIN D14-6(BERG)	STAINLESS
4	1	SG5-017A	FP BAFFLE	ALU 6061-T6
5	1	SG5-018A	FP BAFFLE SUPPORT TV	HARD BRASS
6	1	SG5-019B	FP BAFFLE TUBE TV	ALU 6061-T6
7	1	SG5-014A	FP PINHOLE BAFFLE	ALU 6061-T6
8	1	SG5-015A	FP PINHOLE BAFFLE FRONT	ALU 6061-T6
9	1	SG5-016A	FP SNOOT	ALU 6061-T6
10	1	SG5-020A	FRONT SPACER	ALU 6061-T6
11	1	SG5-021A	THREADED NUT	HARD BRASS
12	1	SG5-022A	FP ENTRANCE BAFFLE	ALU 6061-T6



EXPLODED VIEW: SCALE 1:2

REVDATE: 02/26/99	REVISION: UPDATE DRAWING
REVDATE: 12/02/98	REVISION: ADD 12
REVDATE: N/A	REVISION: N/A
DATE: 06/15/98	INSTITUTE FOR ASTRONOMY
DESIGN: STAHLBERGER	2680 WOODLAWN DR. HONOLULU, HI 96822
DRAWN: STAHLBERGER	INSTRUMENT: SPEX - CROSS DISPERSED SPECTROGRAPH
APPR'D: J. RAYNER	PART NAME: FP BAFFLE
TOLERANCES	TELESCOPE: IRTF
X.X +/- .015	
X.XX +/- .005	
X.XXX +/- .002	
ANGLE +/- 30 min	
FRACTION +/- 1/32	
SG0-001B	DRW NO: SG5-001B
NEXT ASSY	SCALE: NOTED
	SIZE: B
	JOS NO: 725
	SHEET: 1 OF 2

PLOT: 10/19/99