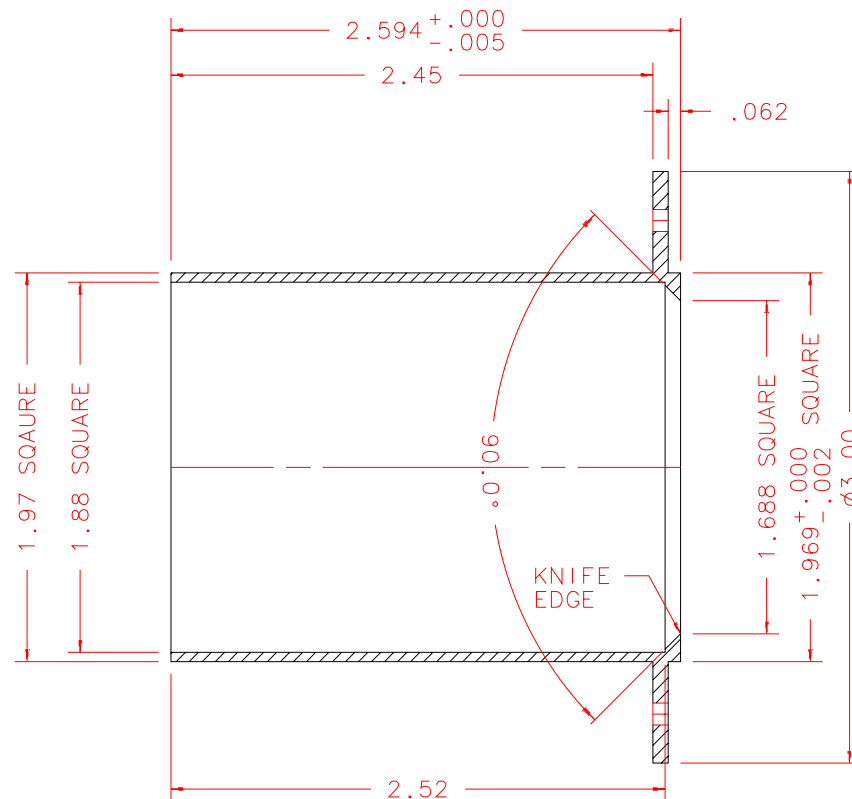
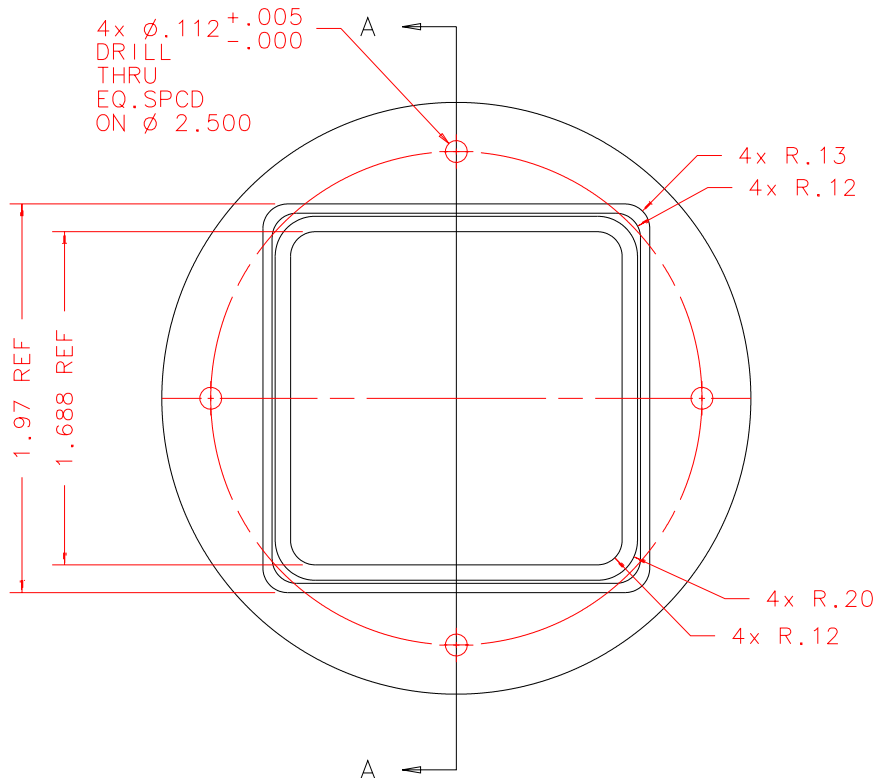


NOTES: UNLESS OTHERWISE NOTED

1. MACHINED SURFACE ROUGHNESS 64
O-RING GROOVES AND SURFACES 32
2. REMOVE ALL BURRS/SHARP CORNERS

BILL OF MATERIAL

NO.	REQ'D	REF DRW	DESCRIPTION	MATERIAL
N/A	1	SG5-016A	FP SNOOT	ALU 6061-T6



SECTION A-A: SCALE 1:1

FRONT: SCALE 1:1

PLOT: 10/19/99

SG5-001B	REVD: N/A	REVISION: N/A	INSTITUTE FOR ASTRONOMY 2680 WOODLAWN DR. HONOLULU, HI 96822 INSTRUMENT: SPEX - CROSS DISPERSED SPECTROGRAPH PART NAME: FP SNOOT TELESCOPE: IRTF
NEXT ASSY	DATE: 05/18/98	DESIGN: STAHLBERGER	
	DRAWN: STAHLBERGER	APPR'D: J. RAYNER	DRW NO: SG5-016A
	TOLERANCES X.X +/- .015 X.XX +/- .005 X.XXX +/- .002 ANGLE +/- 30 min FRACTION +/- 1/32		SCALE: NOTED
	SIZE: A	JOS NO: 725	SHEET: 1 OF 2